



PARTS LIST

MODEL

GAP 581FTF

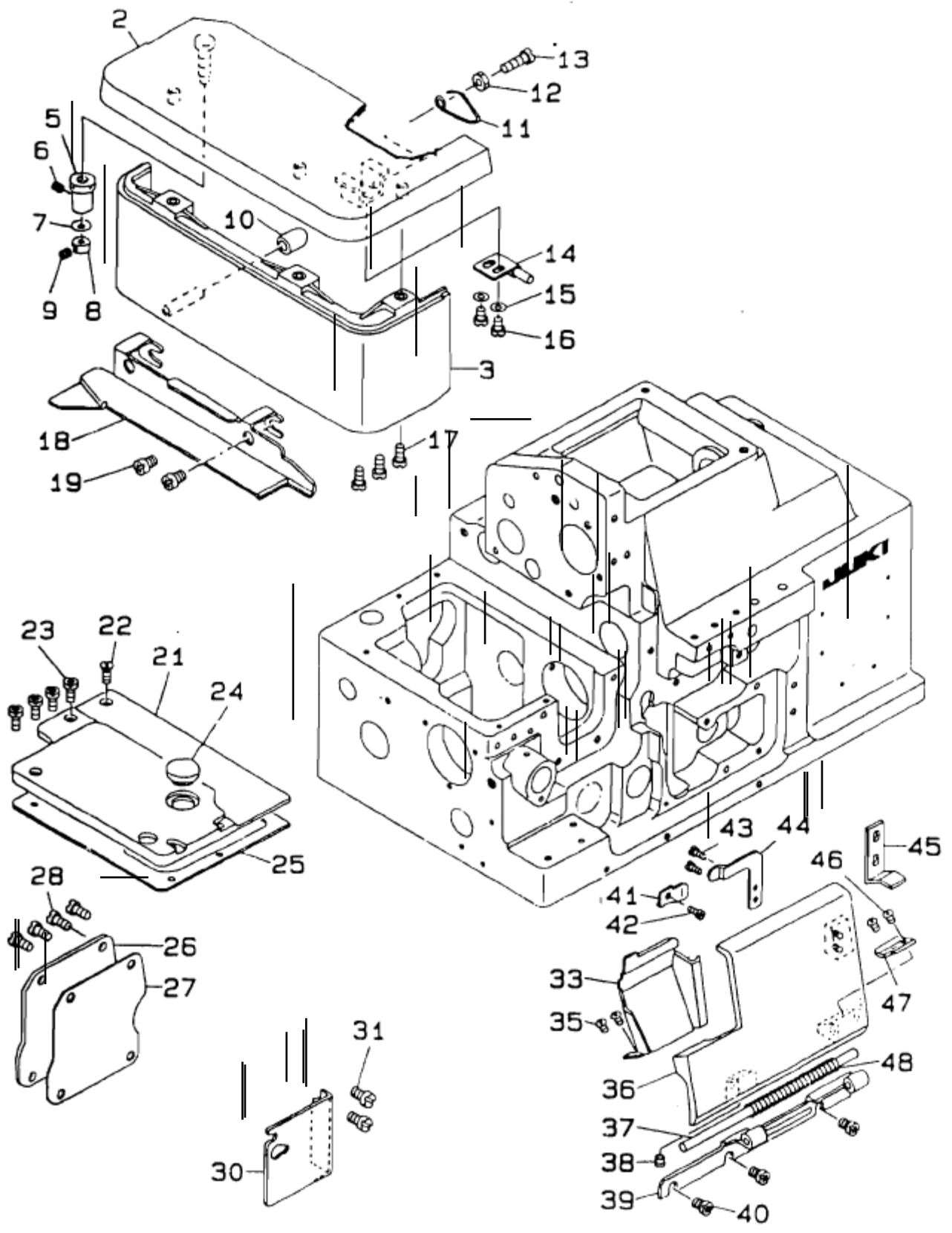
FLANGING MACHINE WITH
POWER TRAC TOP FEED
FOR
HEAVY FOAM PANELS

Galkin Automated Products
205 PARK AVENUE, HICXSVILLE, NY 11801
(516) 822-6944 · (516) 822-0443

CONTENTS

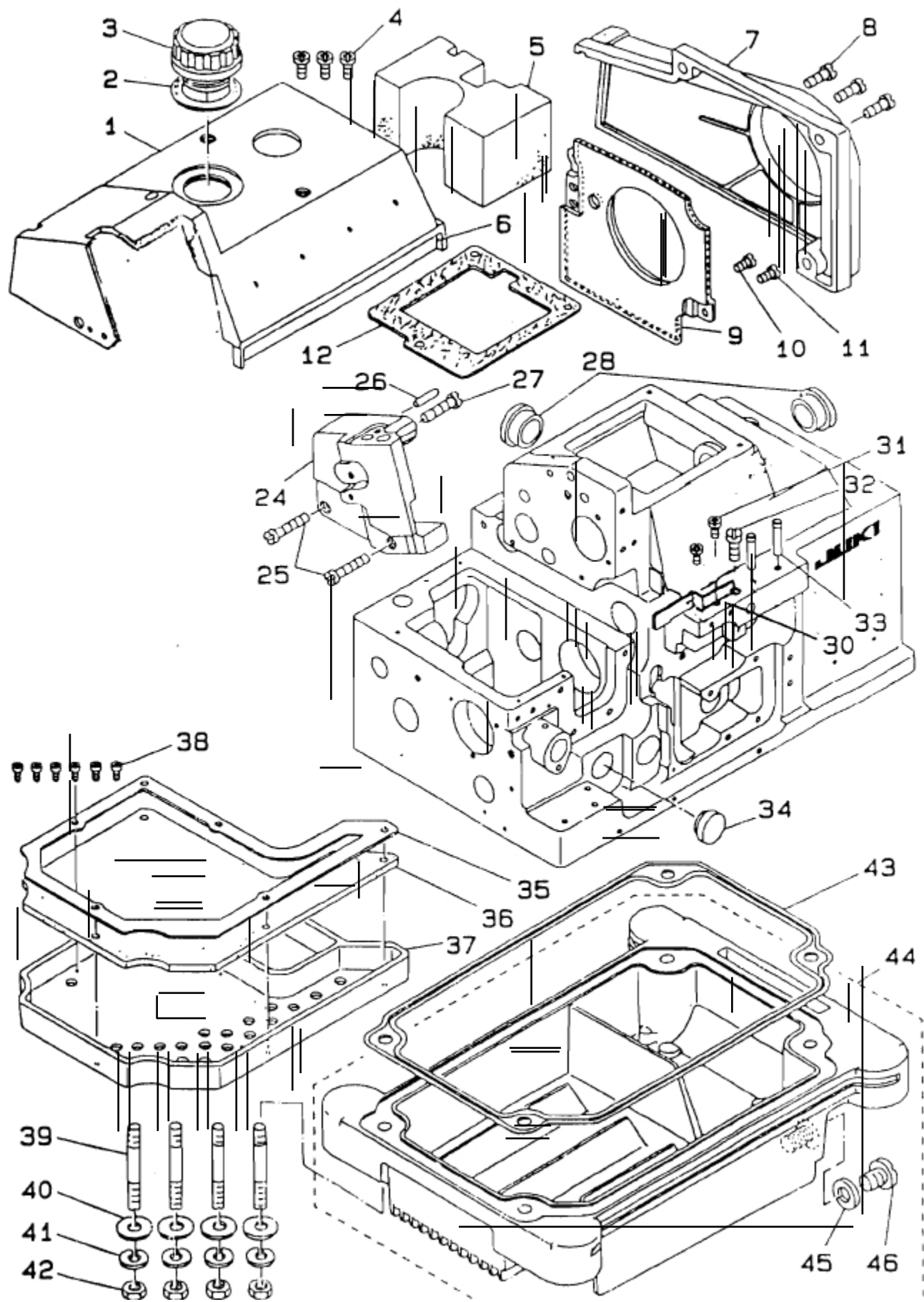
1.	Frame Components (1)	_____	4
2.	Frame Components (2)	_____	6
3.	Crankshaft Components	_____	8
4.	Needle Driving Shaft Components	_____	10
5.	Feed Mechanism Components (1)	_____	12
6.	Feed Mechanism Components (2)	_____	14
7.	Upper & Lower Loper Components	_____	16
8.	Chain Loper Components	_____	18
9.	Presser Foot Components (1)	_____	19
10.	Presser Foot Components (2)	_____	20
11.	Upper Knife Components	_____	21
12.	Thread Tension Components	_____	22
13.	Throat Plate & Lower Knife Components	_____	24
15.	Thread Stand Components	_____	28
16.	Table Components	_____	30

.....



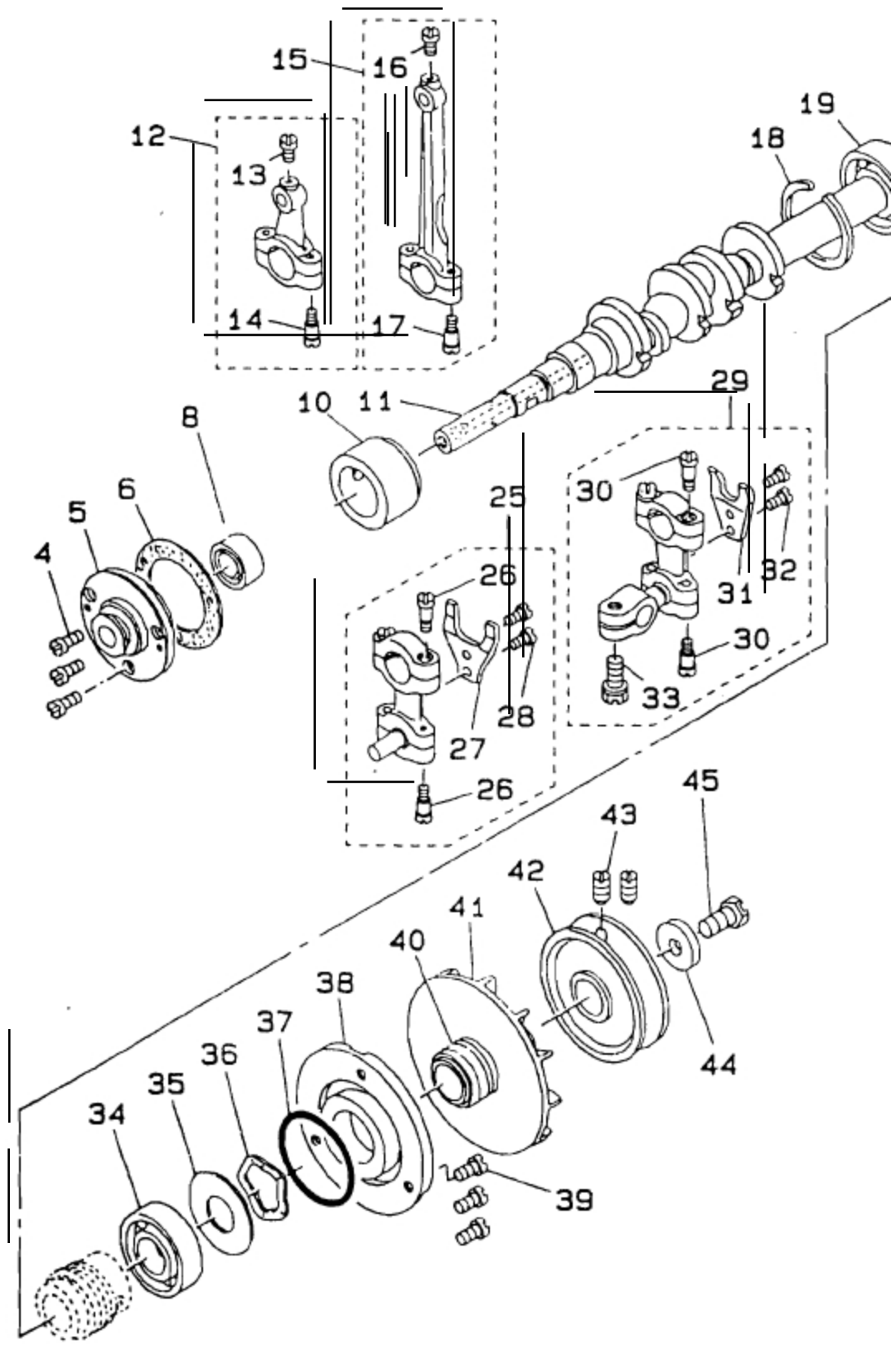
LISTING FRAME COMPONENTS {1}

QTY	PART No.	DESCRIPTION
2	1	C119-48759 Cloth Plate Assembly
3	1	119-49005 Cloth Plate Cover
5	1	115-01301 Eccentric Bushing
6	1	SS'8110422-TP Screw
7	1	WZ-0420350-KP Disc Spring
8	1	CS'0400511-SD Thrust Collar
9	1	SS'8080322-TP Screw
10	1	118-02204 Rubber Plug
11	1	118-02402 Spring
12	1	NS-6110420-SP Nut
13	1	SS-6111440-SP Screw
14	1	119-49252 Stopper Assembly
15	2	WP'0450000-SD Washer
16	2	SS-4110515-SP Screw
17	3	SS-4091015-SP Screw
18	1	120-00709 Cloth Plate Side Cover
19	2	SS-4120615-SP Screw
21	1	118-02501 Feed Mechanism Cover
22	1	SS'1090930-SP Screw
23	4	SS'-4090815-SP Screw
24	1	TA-1250406-R0 Rubber Plug
25	1	118-02600 Gasket
26	1	119-51100 Cover
27	1	118-04309 Gasket
28	4	SS-4110715-SP Screw
30	1	118-04002 Chip Guard Cover
31	2	SS-7110510-SP Screw
33	1	CPT251608 Cloth Waste Cover
35	2	SS-3090610-SP Screw
36	1	119-50805 Looper Cover
37	1	118-03004 Looper Cover Hinge Pin
38	1	SS-8110422-TP Screw
39	1	118-02907 Looper Cover Bracket
40	3	SS-4110715-SP Screw
41	1	118-03400 Looper Cover Predder Spring
42	1	SS-7110720-SP Screw
43	2	SS-7090530-SP Screw
44	1	118-03301 Looper Cover Presser Plate
45	1	118-03202 Looper Cover Guide Plate
46	2	SS-7090530-SP Screw
47	1	118-03103 Looper Cover Plate
48	1	119-49401 Looper Cover Spring



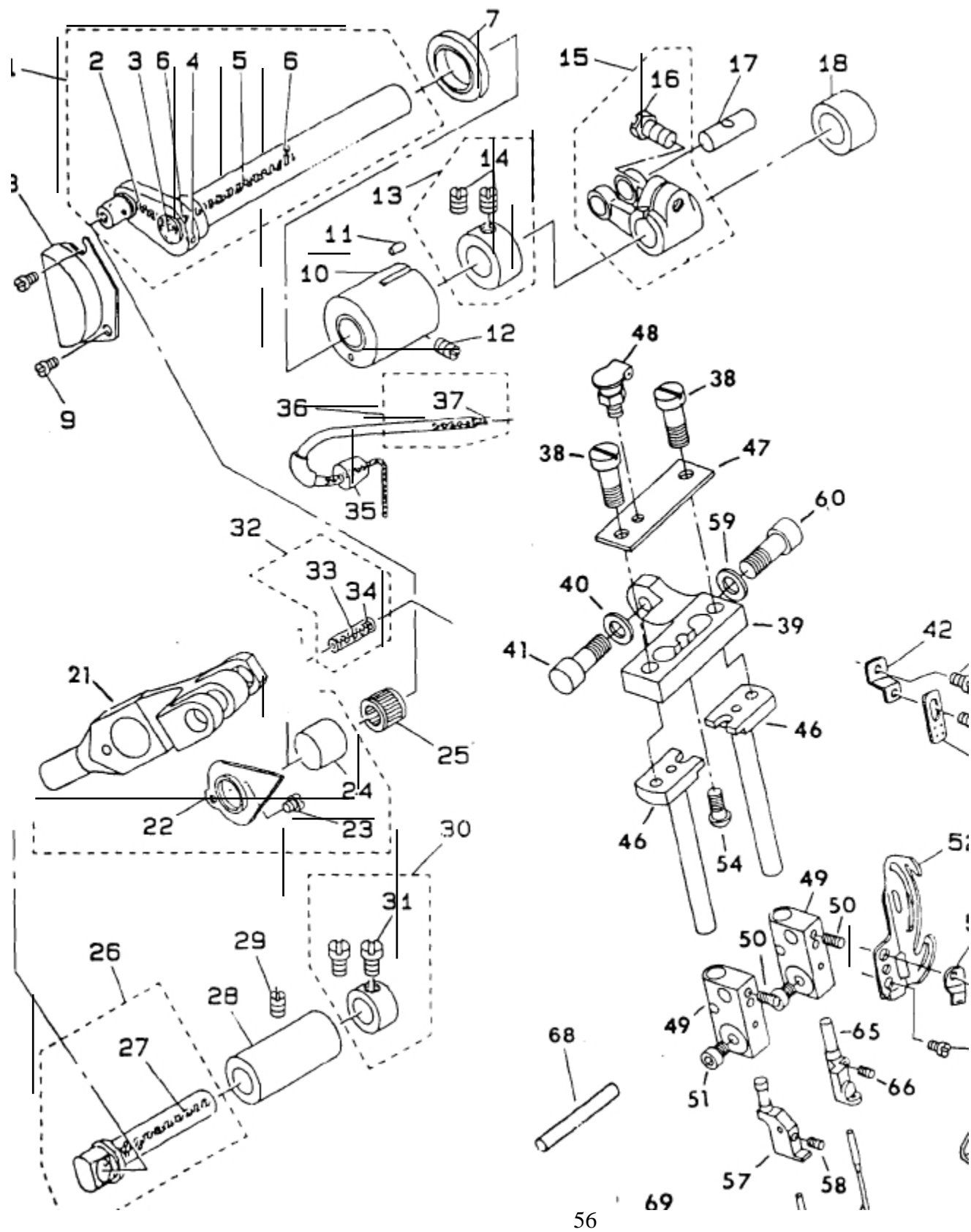
LISTING FRAME COMPONENTS (2)

QTY		PART No.	DESCRIPTION
1	1	C119-50003	Upper Cover
2	1	115-00808	Gasket
3	1	118-00604	Oil Cap
4	3	SS-4121015-SP	Screw
5	1	118-05009	Sponge
6	1	119-51506	Color Belt
7	1	119-51001	Belt Cover
8	3	SS-4150915-SP	Screw
9	1	118-04853	Cooling Fan Plate Assembly
10	1	SS-1110840-SP	Screw
11	1	SS-7110840-SP	Screw
12	1	118-00505	Upper Cover Gasket
24	1	C118-00307	Side Cover
25	2	SS-6122510-SP	Screw
26	1	PS-0400182-KO	Spring Pin
27	1	SS-6122030-SP	Screw
28	2	TA-2050805-R0	Rubber Plug
30	1	CPT25163 6	Chip Guard Cover, Upper
31	2	SS-4120615-SP	Screw
32	1	SS-9151210-TP	Screw
33	2	118-05207	Thread Guide, Large
34	1	TA-1871602-R0	Rubber Plug
35	1	118-41418	Filter Presser Plate
36	1	118-41517	Filter
37	1	118-41319	Filter Base
38	6	ST-6030821-0A	Screw
39	4	115-03703	Screw Stud
40	4	WP-0751576-SD	Washer
41	4	WS-0822010-KP	Spring Washer
42	4	NS-6680410-SP	Nut
	1	115-03901	Oil Reservoir Gasket
	1	115-03851	Oil Reservoir Assembly
	1	118-10306	Oil Drain Cap Gasket
	1	SS-6741010-SP	Screw



LISTING - CRANKSHAFT COMPONENTS

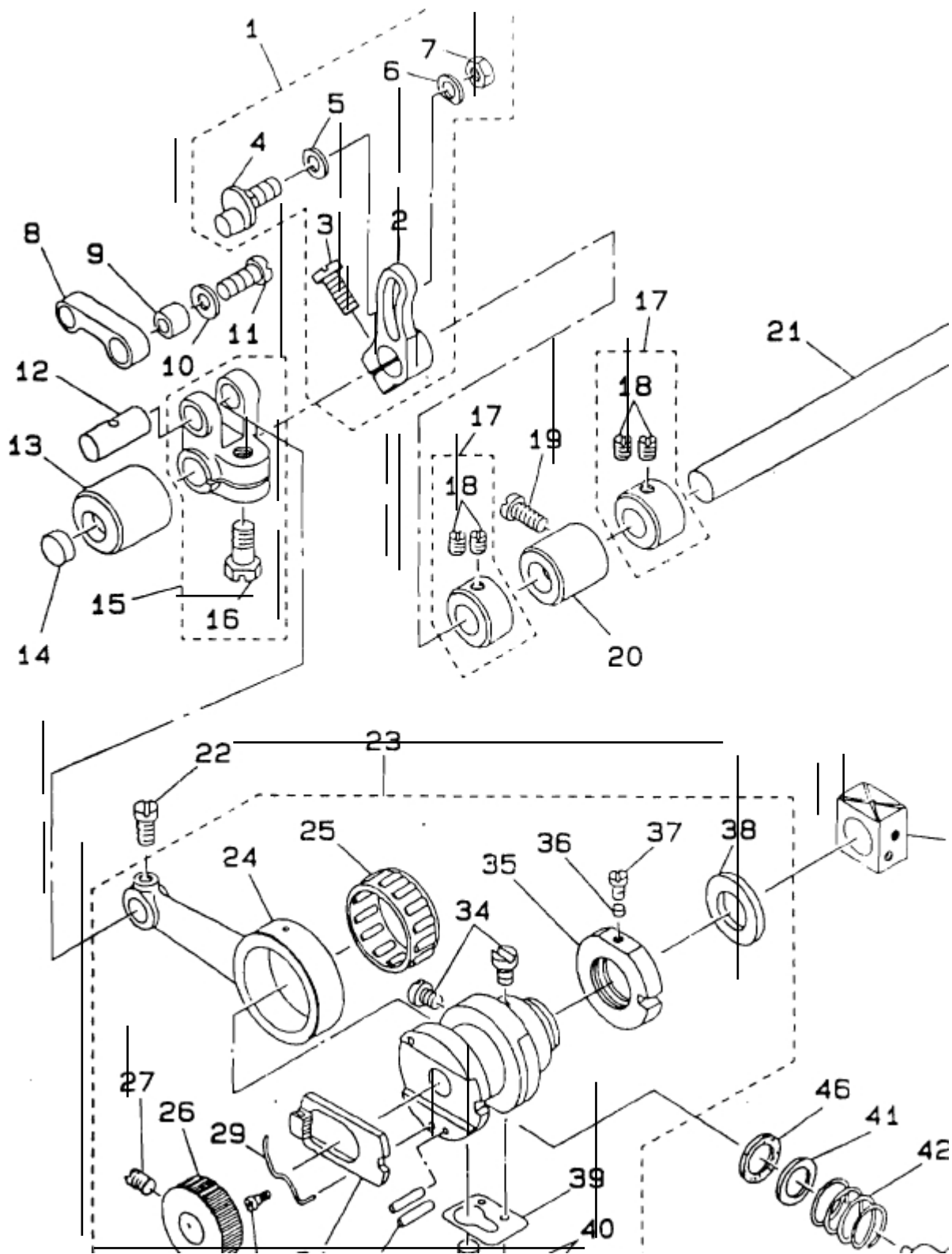
QTY	PART No.	DESCRIPTION
4	3	SS-6090810-TP Screw
5	1	118-12104 Crankshaft Bushing
6	1	B1219-804-000 Gasket
8	1	SB-1100003-00 Ball Bearing
10	1	118-11809 Crankshaft Bushing
11	1	120-02507 Crankshaft
12	1	118-45153 Knife Driving Rod Assembly
13	1	SS-7110910-TP Screw
14	2	SD-0450701-TP Hinge Screw
15	1	115-15053 Connecting Rod Assembly
16	1	SS-7110910-TP Screw
17	2	SD-0450701-TP Hinge Screw
18	1	B1212-704-000 Bearing Retainer
19	1	B1211-804-000 Ball Bearing
25	1	120-04065 Chain Looper Driving Rod Assembly
26	4	SD-0450701-TP Hinge Screw
27	1	120-04008 Stopper
28	2	SS-7110910-TP Screw
29	1	120-04156 Upper Looper Driving Rod Assembly
30	4	SD-0450701-TP Hinge Screw
31	1	118-31203 Stopper
32	2	SS-7110910-TP Screw
33	1	SS-9151210-TP Screw
34	1	B1211-804-000 Ball Bearing
35	1	115-10609 Washer
36	1	WZ-2640310-KH Waved Washer
37	1	RO-3473501-00 Rubber Ring
38	1	118-11403 Thrust Holder
39	3	SS-4121015-SP Screw
40	1	118-11502 Oil Shield
41	1	118-11601 Cooling Fan
42	1	120-02606 Handwheel
43	2	SS-8151150-SP Screw
44	1	WP-0764016-SP Washer
45	1	SS-9681610-TP Screw



LISTING - NEEDLE DRIVING SHAFT COMPONENTS

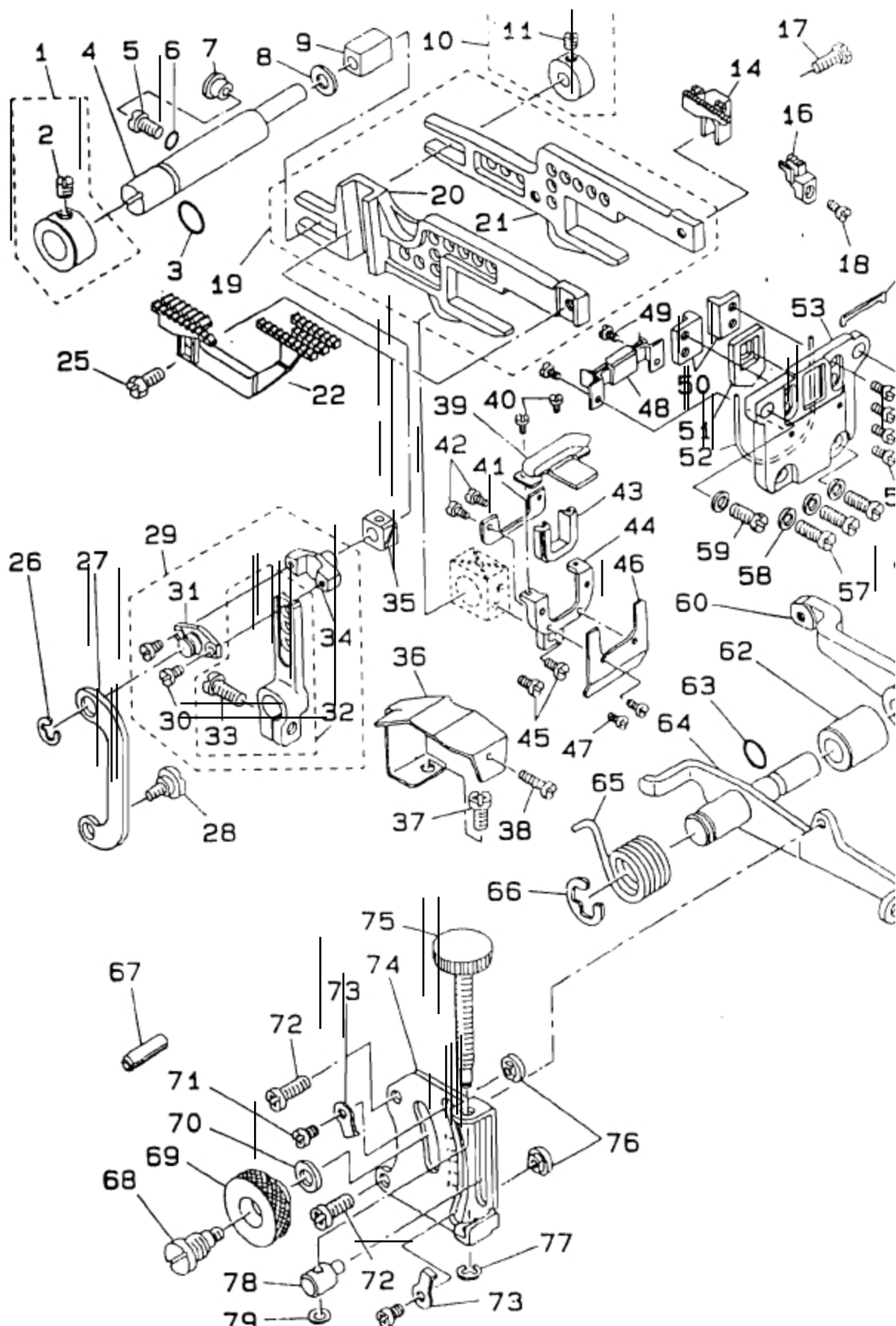
QTY	PkRT No.	DESCRIPTION
1	118-17459	Needle Driving Shaft, Asembly
2	115-82509	Oil Wick
3	115-17505	Oil Cap
4	TA-0180401-MO	Needle Cooler Plug Cap
5	118-42903	Oil Felt
6	B3525-704-000	Oil Fclc
7	115-17802	Oil Seal
<	118-14407	Cover
9	SS-7110410-SP	Screw
10	118-14100	Bushing, Front
11	B3S25-704-000	Oil Felt
12	SS-8120740-SP	Screw
13	CS-1201010-SH	ThruBt Collar Afleembly
14	SS-8660610-TP	Screw
15	B1402-804-OAO	Forked Crank Aeeembly
16	SS-9151210-TP	Screw
17	118-23606	Crank Pin
18	118-14308	Buehing, Rear
21	APT251620	Needle Driving Lever Aeeembly
22	115-15301	Oil Shield
23	SS-4080320-TP	Screw
24	115-15202	Outer Sleeve
25	B1411-804-A00	Bearing
26	115-15459	Needle Driving Lever Shaft Asembly
27	CQ-2020000-00	Oil Wick
28	115-15509	Buahing
29	SS-8120740-SP	Screw
30	CS-087081A-SH	Thruet Collar Aeeembly
31	SS-6110420-TP	Screw
32	C18039	Pin Aeeembly
35	118-15107	Oil Wick Cover Bushing
36	118-15057	Oil Wick Cover Aaeembly
37	CQ-2020000-00	Oil Wick
38	SS-7121410-TP	Screw
39	CPT251605	Needle Clamp Guide Shaft Base
40	WP-0651056-SD	Washer
41	SS-6151812-TP	Screw
42	118-16501	Needle Thread Guide
43	SS-7090540-TP	Screw
44	SS-7090530-SP	Screw
45	118-16600	Needle Thread Take-up Guide
46	CPT251612	Needle Clamp Guide
47	CPT251606	Needle Bar Slide Bracket Clamp Plate
48	CPT2516060C	Oil Cup
49	C115-1S608	Needle Clamp Base
50	SS-8090410-SP	Screw
51	CSS8110422TP	Screw
52	120-03208	Needle Thread Take-up Lever
53	118-16204	Needle Thread Preeser Spring
54	C103206BHCS	Screw
55	118-16410	Needle Thread Presaer Guide
56	SS-6080410-SP	Screw
57	C18038	Needle Clamp
58	C87U	Screw
59	C25STW	Washer
60	C252012SCS	Screw
<S	115-15707	Needle Clamp
66	SS-8080310-TP	Screw
67	CB64125	Needle (see Note 1)
68	18039	Drive Pin
	118-16303	Needle Thread Guide

Needles available from 125 to 140 size.



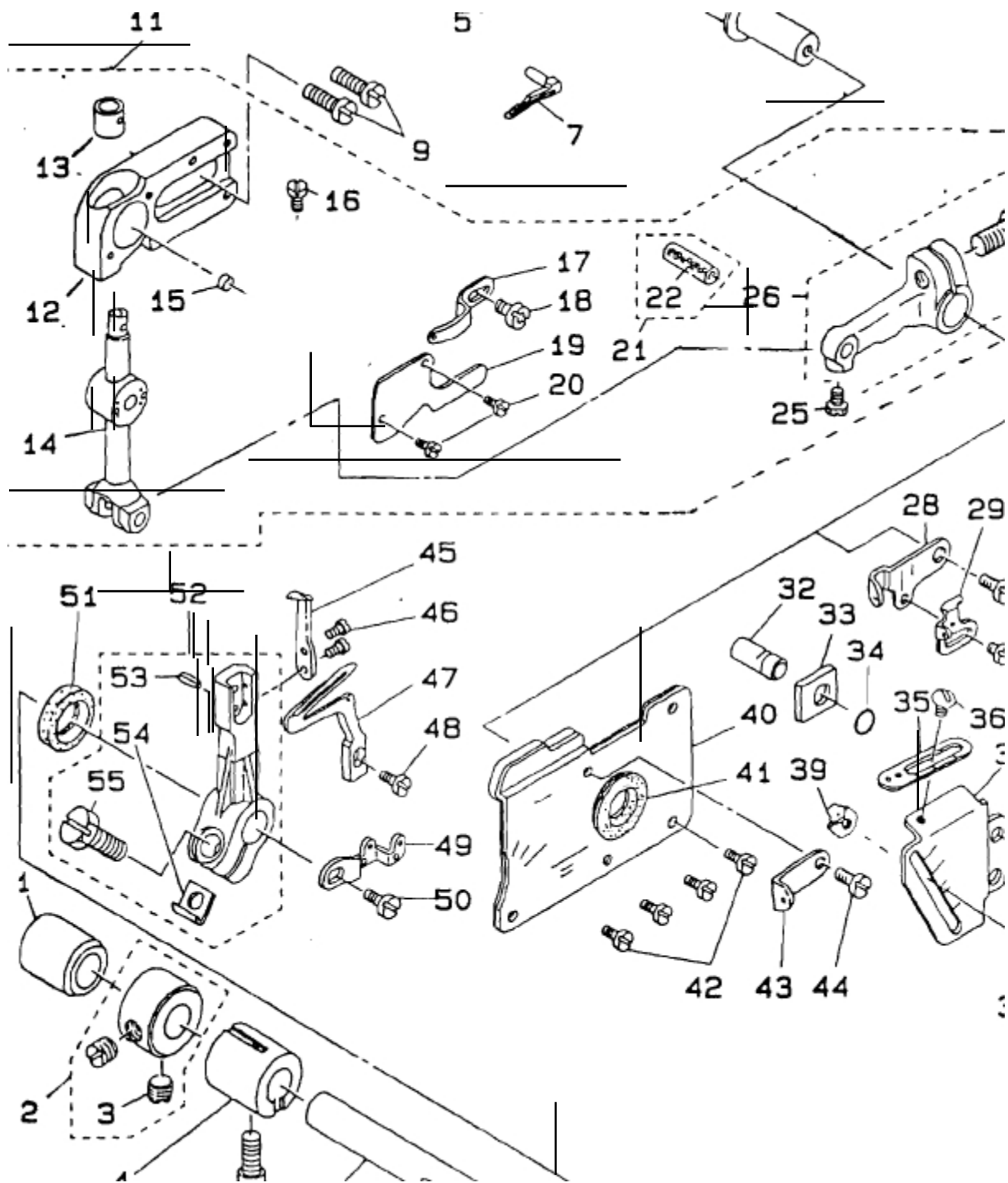
LISTING FEED MECHANISM COMPONENTS (1)

QTY	PART No.	DESCRIPTION
1	118-24059	Feed Rocker Assembly
2	115-30102	Main Feed Rocker
3	SS-612122G-TP	Screw
4	118-24000	Pin
5	119-48502	Washer
6	119-48601	Washer
7	NS-662032D-SP	Nut
e	118-24109	Main Feed Link
9	B1620-804-000	Collar
10	B2107-816-000	Washer
11	SS-6121220-TP	Screw
12	118-23804	Crank Pin
13	B1614-704-000	Bushing, Front
14	TA-1030402-R0	Rubber Plug
15	B1611-804-OAO	Forked Link Assembly
16	SS-9151210-TP	Screw
17	CS-095081B-SH	Thrust Collar Assembly
18	SS-8110410-TP	Screw
19	SS-6121020-SP	Screw
20	B1615-704-000	Bushing, Rear
21	B1613-804-000	Rocker Shaft
22	SS-7110910-TP	Screw
23	118-23176	Feed Eccentric Body Assembly
24	B1610-804-000	Crank Rod
25	B1609-804-000	Needle Bearing
26	118-23507	Ratchet Gear
27	SS-8110750-SP	Screw
28	SS-6110710-TP	Screw
29	B1606-704-000	Ratchet Pawl Spring
30	SD-0260271-SP	Hinge Screw
31	B1604-704-000	Ratchet Pawl
32	PS-0300132-KH	Spring Pin
33	118-28209	Screw
34	SS-7110810-SP	Screw
35	118-23309	Nut
36	118-23408	Plug
37	SS-6090440-SP	Screw
38	118-23200	Washer
39	118-28100	Feed Cam Fixing Plate
40	SS-6060340-SP	Screw
41	B1654-704-000	Washer
42	B1652-704-000	Spring
43	81650-704-000	Push Button Stud
44	SS-7151550-SP	Screw
45	118-24406	Slide Block
46	B1651-704-000	Felt



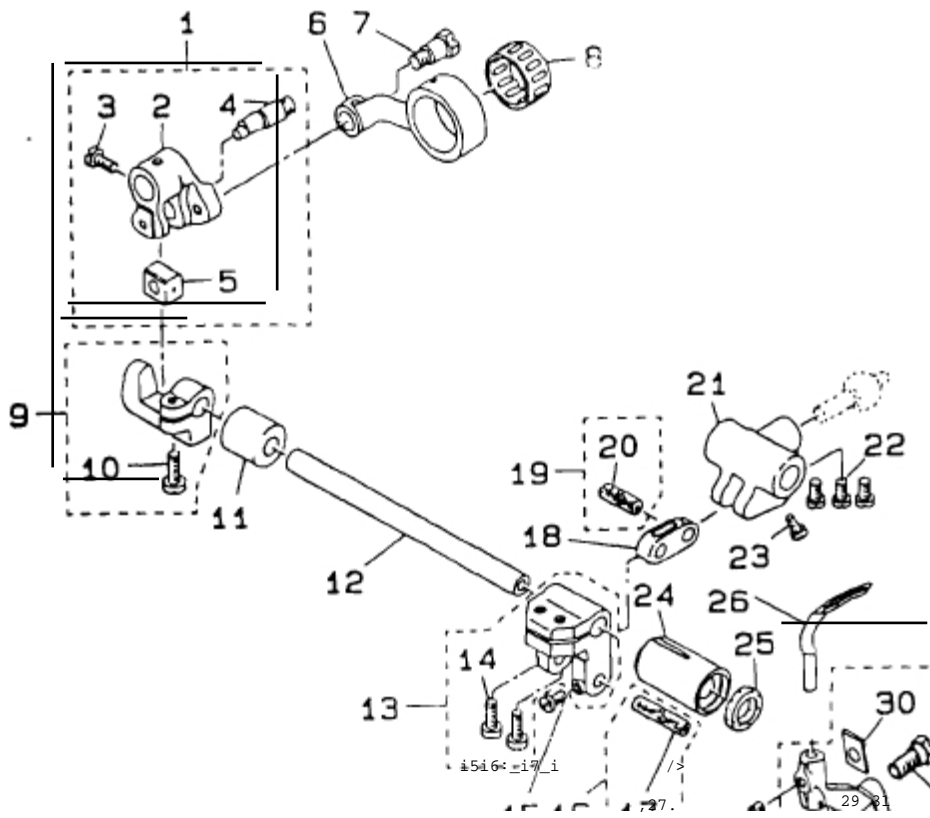
LISTING - FEED MECHANISM COMPONENTS (2)

QTY	PART No.	DESCRIPTION
1	lie-24653	Thrust Collar Assembly
2	SS-86\$0330-SP	Screw
3	R0-07ei901-00	Rubber Ring
4	116-24505	Feed Bar Shaft
s	SS-7120910-SP	Screw
e	RO-0371801-00	Rubber Ring
7	TA-0800504-RO	Plug
e	115-29906	Rocking Ring Support Shaft Washer
9	B1624-704-000	Slide Block
10	116-26050	Collar Assembly
11	SS-8110410-TP	Screw
14	C115-28502	Main Feed Dog
16	C115-28502	Auxiliary Feed Dog
17	SS-9111050-SP	Screw
16	ss-408oeio-sp	Screw
19	118-24257	Main Feed Bar Assembly
20	118-24307	Differential Feed Bar
21	116-24208	Main Feed Bar
22	C18060	Differential Feed Dog
25	CPT151618	Screw
26	RE-0500000-KO	E-Ring
27	116-26310	Link
26	SD-0720271-SP	Hinge Screw
29	118-26555	Differential Feed Rocker Assembly
30	SS-6080410-SP	Screw
31	118-26401	Pin Cover
32	115-27967	Differential Feed Rocker Assembly
33	SS-6121220-TP	Screw
34	118-25304	Differential Feed Pin
35	B1663-804-000	Slide Block
36	118-25700	Oil Shield Plate
37	SS-4120615-SP	Screw
36	SS-4091015-SP	Screw
39	118-25601	Rubber Preaser Plate Assembly
40	SS-7060310-SP	Screw
41	118-25205	Oil Shield Rubber
42	SS-7060310-SP	Screw
43	118-25106	Oil Shield Rubber
44	118-25007	Rubber Cover
45	SS-7090620-TP	Screw
46	118-25403	Rubber Base Plate
47	SS-7060310-SP	Screw
46	118-27607	Oil Shield Rubber, Lower
49	SS-7060510-SP	Screw
50	118-24703	Feed Bar Support
51	118-24901	Rubber
52	RO-4801201-00	Rubber Ring
53	118-24802	Rubber Case
54	118-27904	Rubber
55	116-26407	Throat Place Support
56	SS-6090e20-SP	Screw
57	SS-7111120-SP	Screw
56	WP-0460856-SP	Hasher
59	SS-9H1010-SP	Screw
£0	118-26605	Differential Feed Rocker
61	SS-6661110-SP	Screw
62	B1645-704-000-A	Bushing
63	RO-0601501-00	Rubber Ring
64	118-25858	Rocker Shaft Assembly
65	119-91502	Spring
66	RE-0900000-KP	Snap Ring
67	PS-0400222-KO	Spring Pin
68	B1646-704-000-A	Differential Feed Hinge Screw
69	B1647-704-000-A	Differential Feed Lock Nut
70	WP-0621016-SO	Masher
71	2 SS-4090515-SP	Screw
72	2 SS-4121215-SP	Screw
73	2 115-29104	Washer
74	1 118-25908	Differential Feed Graduation
75	1 110-26104	Differential Feed Screw
76	2 115-29005	Stopper
77	1 RE-0300000-KO	E-Shaped Snap Ring
76	1 118-26005	Differential Feed Block
79	1 WP-0460556-SD	Washer
60	1 118-26203	Spring



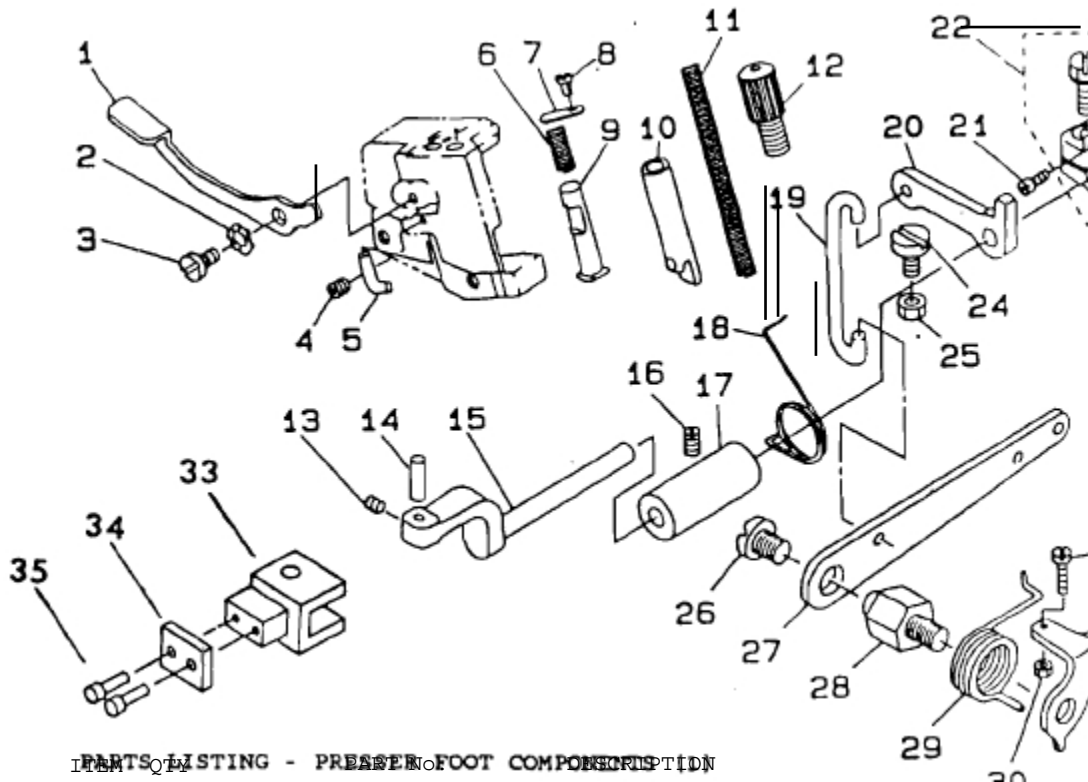
LISTING - UPPER i LOWER LOOPER COMPONENTS

QTY	PART No.	DESCRIPTION	
1	2	B2509-704-000	Bushing, Rear
2	2	CS-103121A-SH	Thrust Collar Assembly
3	4	SS-8660530-TP	Screw
4	2	B2507-804-000-B	Bushing, Front
5	2	SS-6121020-SP	Screw
6		118-31302	Upper Looper Shaft
7		C115-82400	Upper Looper
9		SS-7151340-TP	Head Screw
11		120-04362	Upper Looper Guide Assembly
12		115-44400	Upper Looper Guide Retainer
13		APT251634	Looper Collar
14		C115-82160	Holder Connection Assembly
15		120-04503	Upper Looper Guide Felt
16		SS-9090410-TP	Screw
17		118-33308	Looper Thread Guide, Upper
18		SS-4090615-SP	Screw
19		120-04206	Upper Looper Guide Cover
20		SS-7060610-SP	Screw
21		B1422-B04-0A0	Needle Driving Lever Pin
22		CQ-2000000-00	Oil Wick
25		SS-9090610-TP	Screw
26		115-82079	Looper Holder Assembly
27		SS-9151210-TP	Screw
28		118-33001	Looper Thread Take-up, Right
29		118-33506	Lower Looper Thread Take-up
30		SS-7110840-SP	Screw
31		SS-6060410-SP	Screw
32		118-31906	Pin
33		115-45100	Gauge
34		RO-0371801-00	Rubber Ring
35		118-32904	Looper Thread Guide, Right
36		SS-3090610-SP	Screw
37		118-32805	Looper Thread Take-up Cover
36		SS-4110715-SP	Screw
39		118-33407	Lower Looper Thread Guide
40		118-32706	Oil Shield Plate Assembly
41		B2530-704-000	Upper Looper Shaft Rubber Ring
42		SS-6090630-SP	Screw
43		118-33100	Looper Thread Guide
44		SS-7090850-SP	Screw
45		clie-90001	Traveling Needle Guard
46		SS-6060440-TP	Screw
47		C118-89904	Lower Looper
48		SS-6090620-SP	Screw
49		118-33209	Looper Thread Take-up, Left
50		SS-7110840-SP	Screw
51		B250B-704-000	Oil Seal
52		118-32458	Lower Looper Support Arm Assembly
53		PS-0200062-KH	Spring Pin
54		B2531-704-000	Washer
		SS-9151210-TP	Screw
		118-32300	Lower Looper Shaft



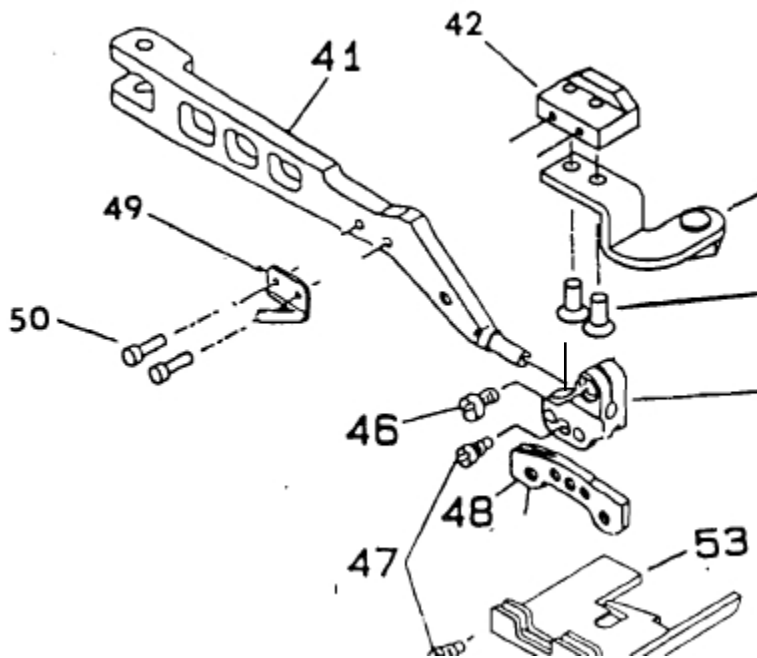
PARTS LISTING - CHAIN LOOPER COMPONENTS

ITEM	QTY	PART No.	DESCRIPTION
1		B2103-816-OAO	Chain Looper Shaft Slide Aarm
2		B2103-816-000-B	Double Ring Front & Rear Arm
3		SS-7110720-TP	Scrcw
4		B2120-816-000	Chain Looper Slide Block Pin
5		B2105-616-000	Chain Looper Slide Block
6		B2102-816-000-A	Chain Looper Rod
7		SD-0720803-TH	Step Scrcw
8		B2119-816-B00	Bearing
9		B2108-816-OAO	Bracket Aeeembly
10		SS-6i21220-TP	Screw
11		B2111-716-000	Bushing, Rear
12		118-29207	Chain Looper Shaft
13		115-39053	Ciain Looper Shaft Driving Arm
14	2	SS-6121220-TP	Screw
15		SS-4080610-SP	Screw
16		B2106-816-CA0	Pin AeBcinbly, Long
17	0 1	CQ-2020000-00	Oil Wick
18		B2113-816-000	Chain Looper Shaft Driving Link
19		B2114-816-CA0	Pin Aeecmbly, Short
20	0 1	eg-2020000-00	Oil Wick.
21		B2115-816-000	Driving Ball Arm Bracket
22	3	SS-6110710-TP	Screw
23		SS-408D610-SP	Scrcw
24		B2110-816-000-B	Bushing, Front
25		B2525-352-000	Oil Seal Ring
26		CI15-39202	Chain Looper
27		CSS-8110422-TP	Screw
28		118-29355	Chain Looper Driving Arm Assembly
29		PS-0200062-KH	Spring Pin
30		B2531-704-000	Washer
31		SS-9151210-TP	Screw



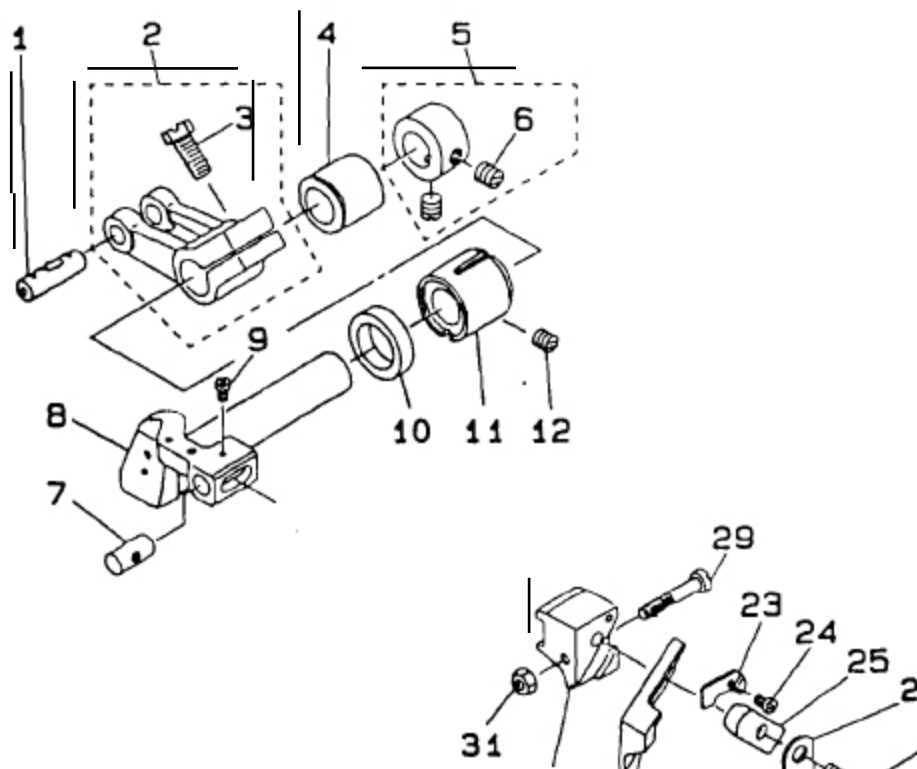
PARTS LISTING - PRESSER FOOT COMPONENTS

ITEM NO.	QTY	PART NO.	DESCRIPTION
1	1	119-06302	Preeer Foot Lifting Lever
2	1	WZ-0641510-KP	Waved Washer
3	1	SD-063 0371-SP	Hinge Screw
4	1	SS-8110422-TP	Screw
5	1	118-20602	Stopper
6	1	118-.20909	Spring
7	1	118-20503	Washer
8	1	SS-6110G10-TP	Screw
9	1	119-06203	Preeer Lifting Bar
10	1	118-20164	Preeer Bar Assembly
11	1	B1515-804-00B	Preeer Spring
12	1	118-20214	Preeer Spring Regulator
13	1	SS-8110510-SP	Screw
14	1	B1534-804-000	Preeer Foot Arm Hinge Shaft
15	1	115-21002	Preeer Foot Shaft
16	1	SS-8120740-SP	Screw
17	1	115-21101	Bushing
18	1	118-19703	Preeer Foot Ann Spring
19	1	118-19414	Lifting Hook
20	1	118-19505	Lifting Arm
21	1	B1536-804-000	Pin
22	1	B1535-804-OAO	Preeer Foot Shaft Thrust Arm Aeey
23	1	SS-9151210-TP	Screw
24	1	SS-6151201-SP	Screw
25	1	NS-6150310-SP	Nut
26	1	SS-7161040-SP	Screw
27	1	118-19307	Lifting Lever
28	1	118-19109	Lifting Lever Screw
29	1	118-19208	Lifting Lever Spring
30	1	NS-6110420-SP	Nut
31	1	SS-7111410-SP	Screw
32	1	B1529-804-000	Presaer Foot Lifting Lever Stopper
33	1	CPT151606	Preeer Foot Arm Link
34	1	CPT151612	Preeer Foot Arm Link Clamp Plate
35	2	C044008SCS	Screw



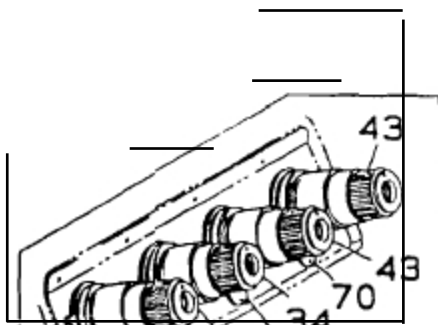
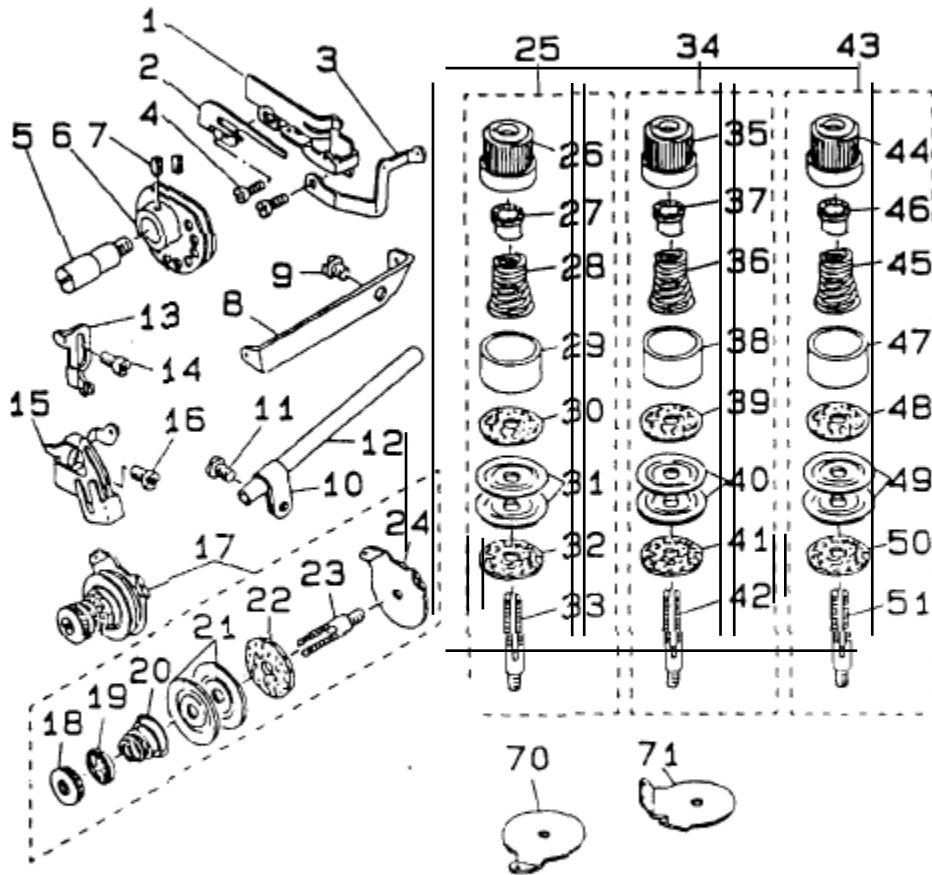
PAR' LISTING - PRESSER FOOT COMPONENTS (2)

ITEI	QTY	PART No.	DESCRIPTION
41		CPT151616	Presser Foot Arm
42		CPT251631	Presser Foot Arm Catch
43		APT251618	Presser Foot Hold Down Bar
44		C083206FHSC	Flat Head Screw
45		C115-21705	Hinge Arm
46		CSS-6090650-SP	Screw
47		C115-22703	Hinge Screw
48		C115-21507	Presser Foot Hinge
49		C115-21903	Thread Trimmer
50		C044006SCS	Screw
53		CPT251630	Presser Foot

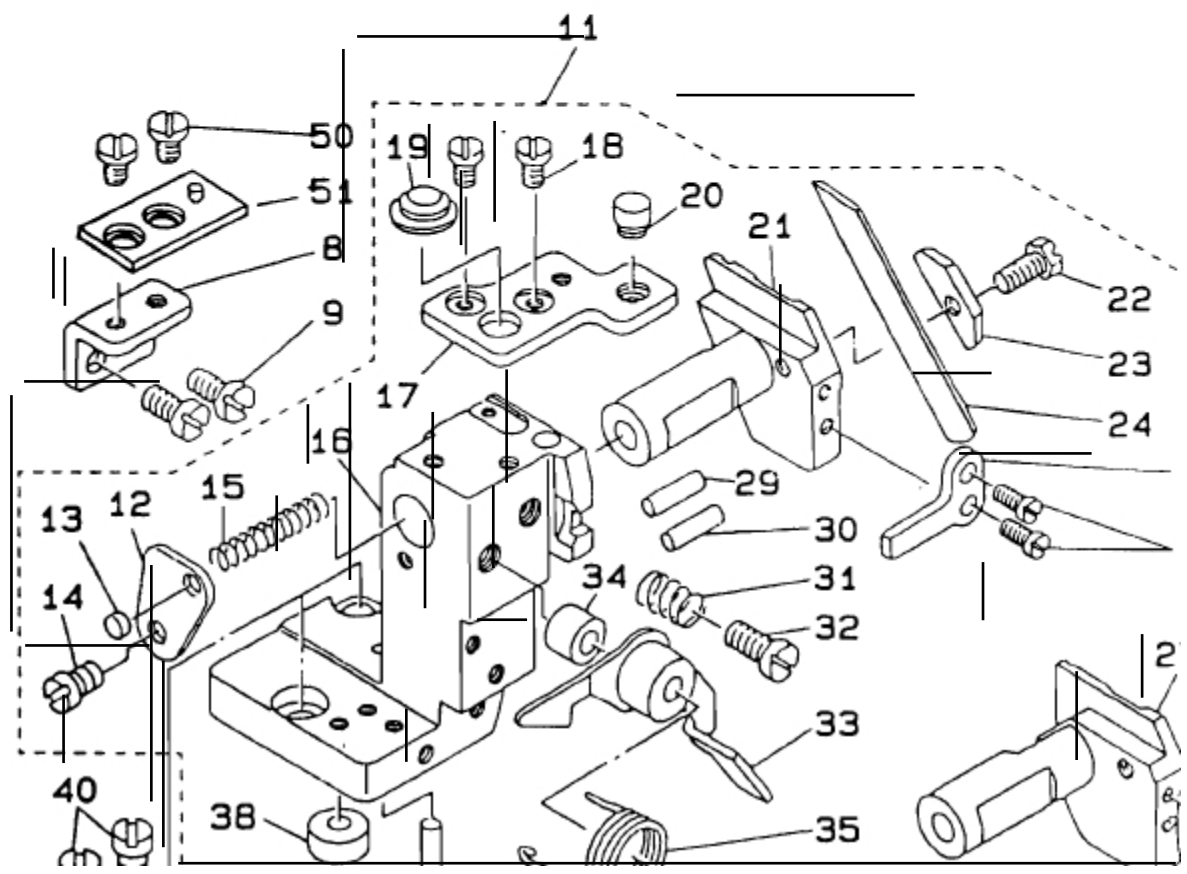
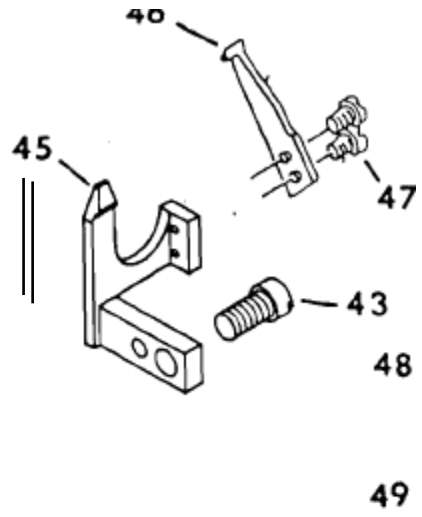
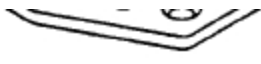


PARTS LISTING - UPPER KNIFE COMPONENTS

ITEM No.	QTY	PART No.	DESCRIPTION
1	1	B1403-352-COO	Crank Pin
2	1	115-65058	Upper Knife Driving Arm Assembly
3	1	SS-9661230-CP	Screw
4	1	115-65306	Bushing, Rear
5	1	CS-111101E-SH	Thrust Collar Asssetnbly
6	2	SS-8660330-SP	Screw
7	1	115-65801	Upper Knife Guide ShafE
8	1	118-45203	Knife Driving Arm Shaft
9	1	SS-4060310-SP	Screw
10	1	115-66809	Oil Seal
11	1	115-65207	Bushing, Front
12	1	SS-8120740-SP	Screw
23	1	115-65702	Washer
24	1	SS-4060319-SP	Screw
25	1	CH5-65504	Upper Knife Presser Plate
26	1	C115-65603	Upper Knife Cover
29	1	SS-7092110-TP	Screw
30	1	115-65405	Upper Knife Support
31	1	NS-6090310-SP	Nut
32	1	C115-65900	Upper Knife
33	1	SS-9112420-TP	Screw

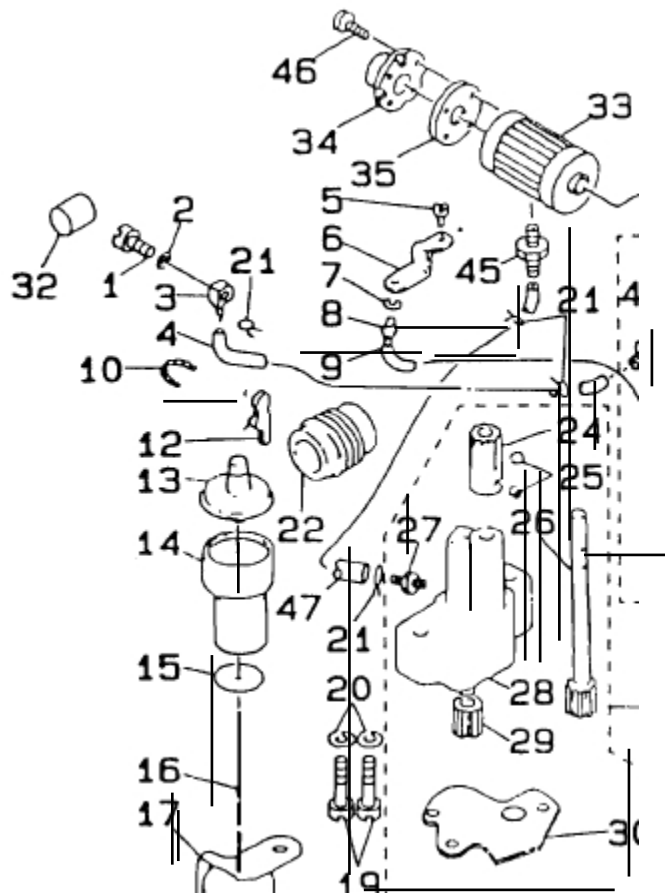


PART S	LISTING		- THREAD TENSION	COMPONENTS
	TEM	No.		
1	1		118-29504	Cham Looper Thread Guide
2	1		B2204-816-000	Hoolc
3	1		118-29603	Chain Looper Thread Guide
4	2		SS-4 090615-SP	Screw
5	1		B2202-816-000	Shaft
6	1		B2201-ei6-000	Thread Cam
7			SS-8110410-TP	Screw
8	1		B2402-716-000	Looper Thread Guide Tube Guide
9	1		SS-5150510-SP	Screw
10	1		B3113-352-000	Mounting Bracket
11	1		SS-4120615-SP	Screw
12	1		B2401-816-000	Looper Thread Guide Tube
13	1		118-16709	Needle Thread Guide
14	1		SS-4110715-SP	Screw
15	1		120-03703	Needle Thread Guide
16	1		SS-4110715-SP	Screw
17	1		115-50852	Tension Controller Assembly
18	1		B2314-019-000	Tension Post Nut
19	1		B3120-125-a00	Rotating Stopper
20	1		82017-372-000	Tension Spring No. 1
21			B3126-012-000	Thread Tension Disk
22	1		B3120-352-000	Thread Tension Spring Felt
23	1		115-50B03	Thread Tension Post
24	1		115-50308	Thread Guide
25	1		120-25854	Thread Tension Spring Junction
26	1		119-57107	Thread Tension Knob, Purple
27	1		B3112-704-000	Tension Spring Bushing
28	1		115-50100	Tension Spring, Purple
29	1		119-57305	Tension Disk Presser
30	1		B3120-704-000	Thread Tension Spring Felt
31			B3126-012-000	Thread Tension Disk
32	1		B3120-352-000	Thread Tension Spring Felt
33	1		N3105-804-000	Tension Post
34	1		120-25953	Thread Tension Post Assembly, Green
35	1		119-57206	Thread Tension Knob, Green
36	1		115-50209	Tension Spring, Green
37	1		B3112-704-000	Tension Spring Bushing
38	1		119-57305	Tension Disk Presser
39	1		B3120-704-000	Thread Tension Spring Felt
40			B3126-012-000	Thread Tension Disk
41	1		B3120-352-000	Thread Tension Spring Felt
42	1		B3105-804-000	Tension Post
43	1		119-56752	Thread Tension Spring Junction
44	1		119-56703	Thread Tension Pick-up, Red
45	1		B3101-804-000	Tension Spring, Red
46	1		B3112-704-000	Tension Spring Bushing
47	1		119-57305	Tension Disk Presser
48	1		B3120-704-000	Thread Tension Spring Felt
49			B3126-012-000	Thread Tension Disk
50	1		B3120-352-000	Thread Tension Spring Felt
51	1		B3105-804-000	Tension Post
70	3		B3109-704-000	Thread Guide
71	1		115-51009	Tension Disk Thread Guide



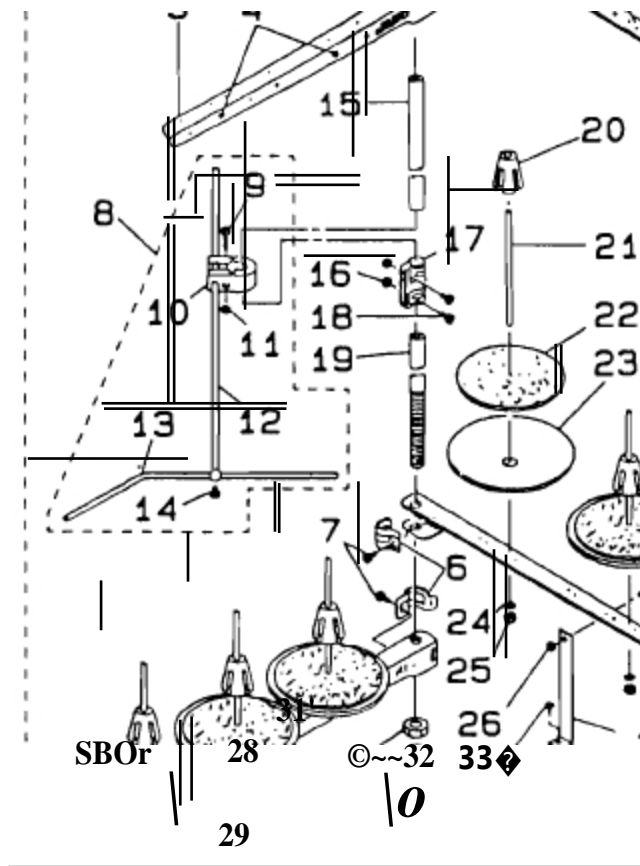
LISTING - THROAT PLATE & LOWER KNIFE COMPONENTS

QTY	PART No.	DESCRIPTION
1	1	SS-2110910-SD Screw
2	1	C18040 Throat Plate
8	1	118-04408 Throat Plate Base B Retainer
9	2	SS- 6121010-SP Screw
11	1	120-05567 Lower Knife Bracket
12	1	118-46904 Spring Stopper
13	1	118-06304 Plug
14	1	SS- 7110720-SP Screw
15	1	118-46607 Spring
16	1	118-47811 Lower Knife Support Bracket
17	1	118-04507 Throat Plate Base A
18	2	SS- 6110110-TP Screw
19	1	118-04713 Rubber Plug
20	1	119-46909 Plug
21	1	118-46219 Lower Knife Slide Stud
22	1	SS- 9111010-SP Screw
23	1	115-66403 Lower Knife Presser Plate
24	1	C115-66502 Lower Knife
25	1	118-46417 Rotating Stopper
26	2	SS- 7090710-SP Screw
27	1	120-05005 Lower Knife Slide Stud
28	1	120-05104 Rotating Stopper
29	1	118-46805 Holder Pin
30	1	118-46805 Holder Pin
31	1	B4115-704-000 Spring
32	1	SS- 7151120-SP Screw
33	1	118-01867 Lever
34	1	118-02105 Rubber Plug
35	1	118-02014 Lever Spring
36	1	SD 0601021-SP Hinge Screw
37	1	118-46805 Holder Pin
38	1	B2739-761-000 Washer
39	1	SS 7110840-SP Screw
40	2	SS 6151440-SP Screw
43	1	SS 7110840-SP Screw
45	1	CPT251604 Needle Guard
46	1	C118-90605 Needle Holder
47	2	C025603BHS Screw
48	1	SS 7090510-SP Screw
49	1	CPT251607 Needle Guard
50	2	SS 6110610-TP Screw
	1	APT251615 Throat Plate Base



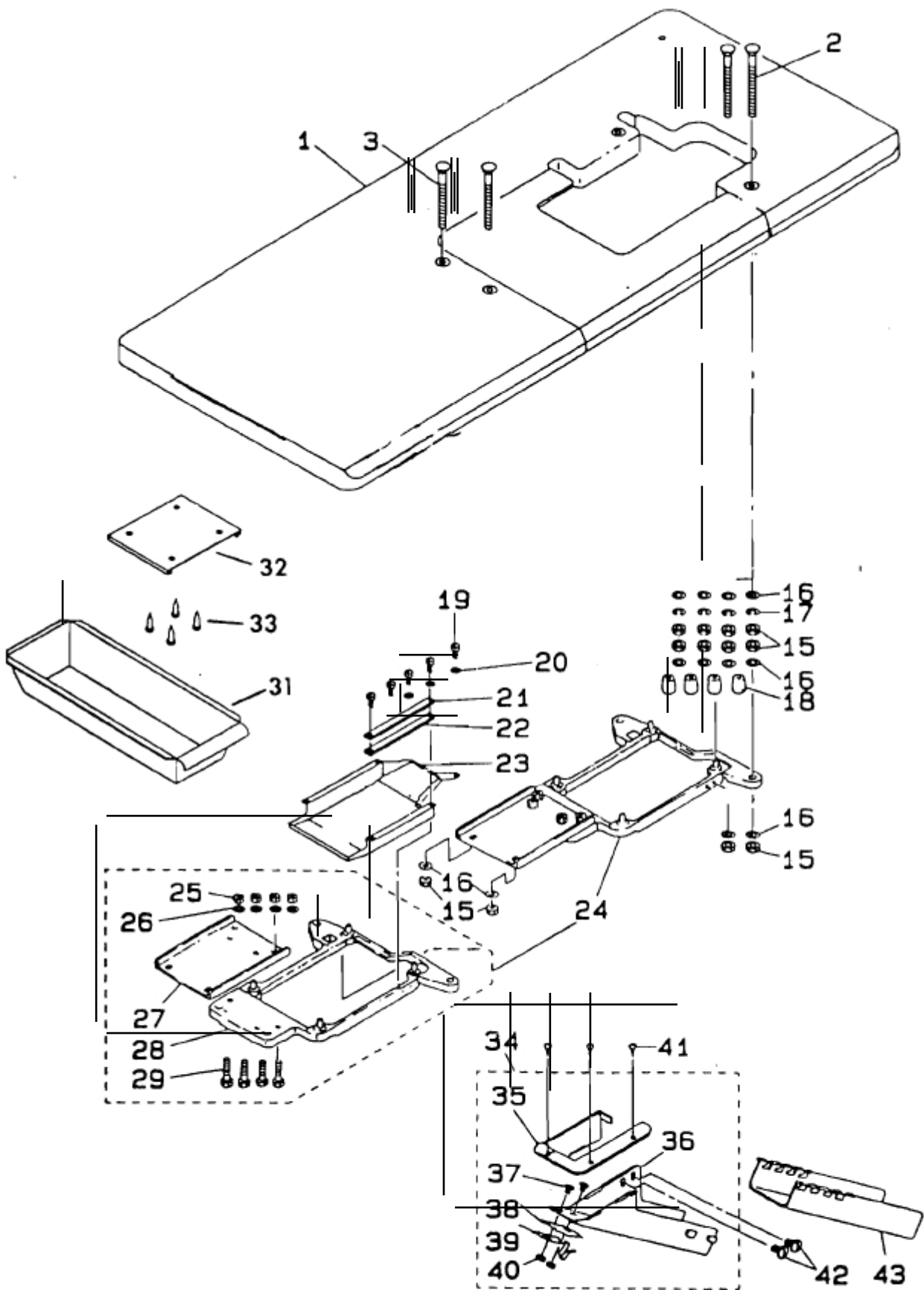
LISTING - LUBRICATION MECHANISM COMPONENTS

QTY	PART No.	DESCRIPTION
1	1 B3525-357-000	Connecting Screw
2	1 WP 0520656-SA	Washer
3	1 SQ 0000404-MZ	Connecting Screw
4	0.2 BT 0500300-EA	Oil Tube
5	1 SS 6110610-TP	Screw
6	1 118-40709	Oil Exhaust Holder
7	1 WP 0480856-SP	Washer
B	1 SQ 1110401-MZ	Connecting Screw
9	0.2 BT 0500300-EA	Oil Tube
10	0.1 CQ 2000000-00	Oil Wick
12	1 118-41608	Upper Looper Guide Oil Felt
13	1 118-40808	Oil Gauge
14	I 118-40907	Oil Gauge Holder
15	1 118-41905	Washer
16	1 118-41053	Float Assembly
17	1 118-41202	Float Support
18	1 SS 4150715-SP	Screw
19	2 ss 9152130-CP	Screw
20	2 WP 0651056-SH	Washer
21	4 101-26603	Oil Tube Holder
22	1 118-40600	Worm
23	1 118-43851	Oil Pump Assembly
24	1 118-41707	Worm Gear
25	SS 8110410-TP	Screw
26	1 118-41855	Oil Pump Shaft Large Assembly
27	1 SQ 1150451-MZ	Connecting Screw
28	1 118-40162	Oil Pump Assembly
29	1 118-40303	Oil Pump Pinion
30	1 118-43406	Cover
31	SS 6090650-SP	Screw
32	1 118-14712	Filter
33	1 118-43208	Cartridge Filter
34	1 118-43000	Filter Cover
35	1 118-43109	Filter Packing
36	1 118-43307	Filter Guide
37	1 118-43554	Distribution Block Assembly
38	1 118-43505	Distribution Block
39	1 118-43703	Worm Joint
40	1 SQ -1150451-MZ	Connecting Screw
41	1 SQ 1150453-MZ	Connecting Screw
42	1 B3525-357-000	Connecting Screw
43	TA -0370301-MO	Plug
44	1 118-43604	Distribution Screw
45	1 SQ -1680451-MZ	Filter Joint
46	4 SS -4110915-SP	Screw
47	0.1 BT -06D0300-EA	Oil Tube
48	1 118-34603	Oil Supply Bushing
49	0.1 CQ ·2020000-00	Oil Wick



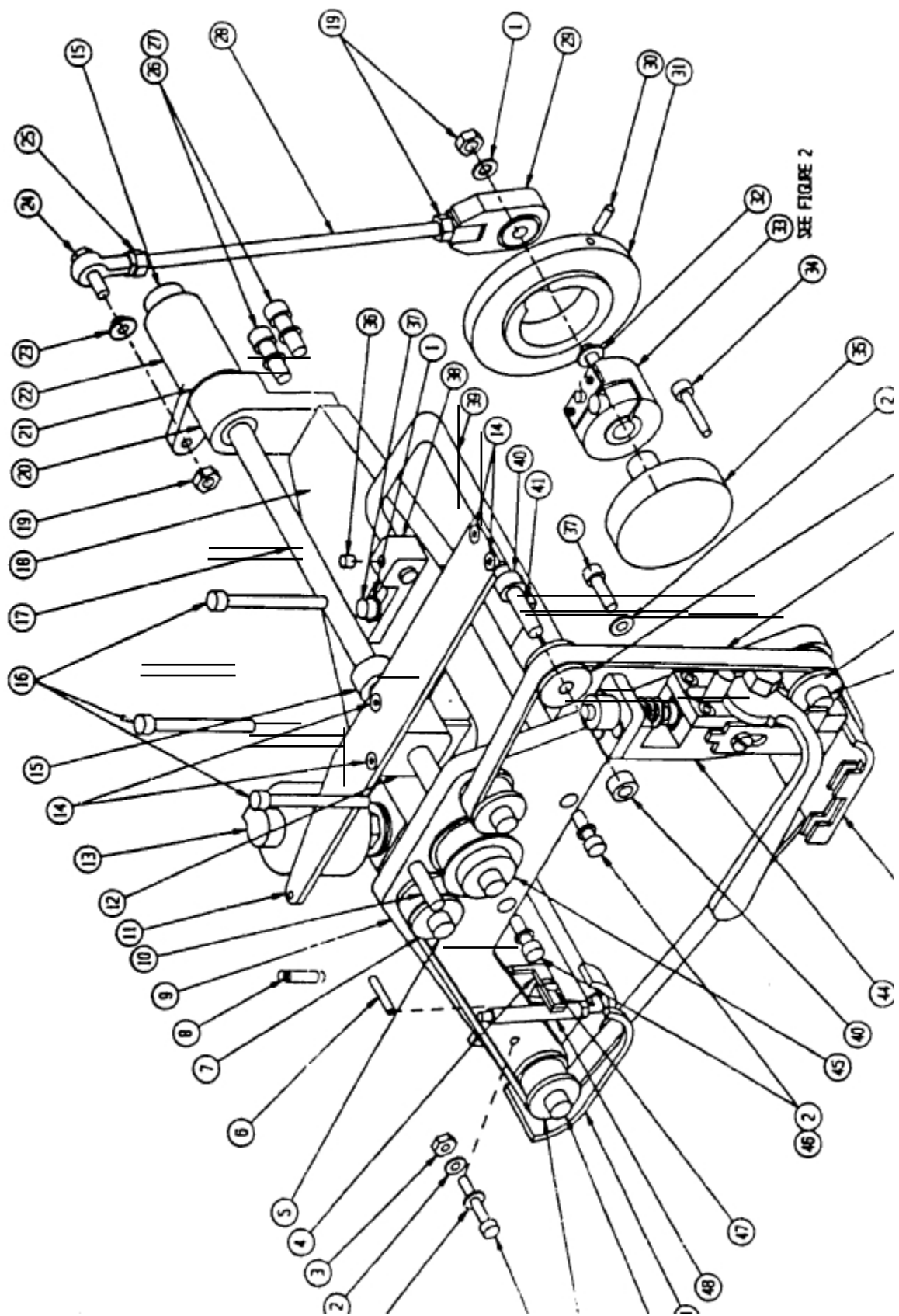
LISTING - THREAD STAND COMPONENTS

QTY	PART NO.	DESCRIPTION
1	120-26050	Thread Stand Assembly
2	B3 321-704-LOB	Spool Rest Arm Support B
3	119-57602	Thread Guide Arm A
4	B3319-704-LOO	Thread Guide
5	111-84108	Spool Rest Rod Rubber Cap
6	B3318-704-L00-A	Thread Guide Arm Joint
7	SM-6061610-SC	Screw
B	B3309-704-0A0	Thread Guide Arm Assembly
9	SM-6053000-SE	Screw
10	B33 04 -704-000-A	Thread Guide Arm Holder
11	NM-6050001-SE	Nut
12	B3309-704-000	Thread Guide Arm
13	B3311-804 - 000	Lower Thread Guide
14	SS-7110540-SP	Screw
15	119-57503	Spool Rest Rod, Upper
16	NM-60500G1-SE	Nut
17	B3305-704 -000-A	Spool Rest Rod Joint
18	SM-4051405-SE	Screw
19	119-57404	Spool Rest Rod, Lower
20	111-84009	Spool Retainer
21	B3320-704-L00-A	Spool Pin
22	B3311-012-000	Spool Rest Cushion
23	111-63902	Spool Rest
24	WS-0510002-KN	Spring Washer
25	NM-6050001-SE	Nut
26	NM-6060001-SE	Nut
27	SK-3382001-SE'	Screw
28	SM-4061201-SE	Screw
29	B3321-704-LOO	Spool Rest Arm Support
30	B3317-704-000	Nut
31	WP-1702600-SO	Washer
32	WS-1643202-KR	Spring Washer
33	MAO-11532000	Cord Staple



LISTING - TABLE COMPONENTS

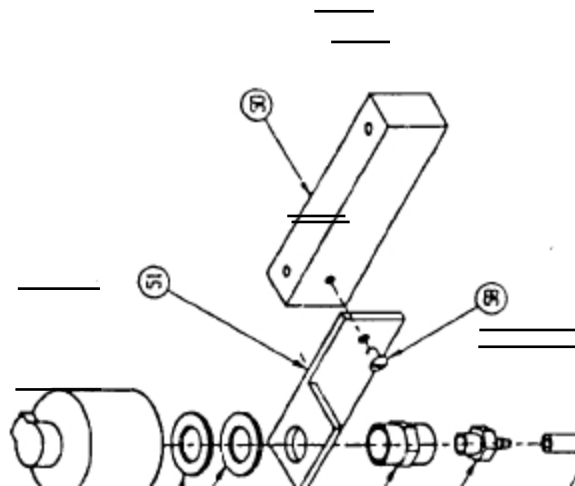
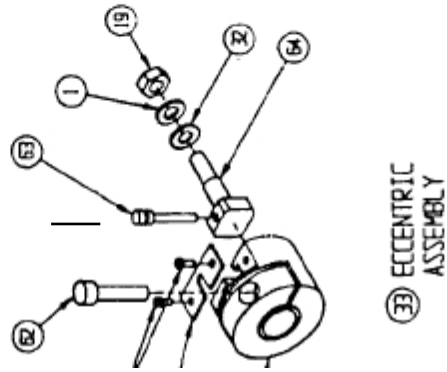
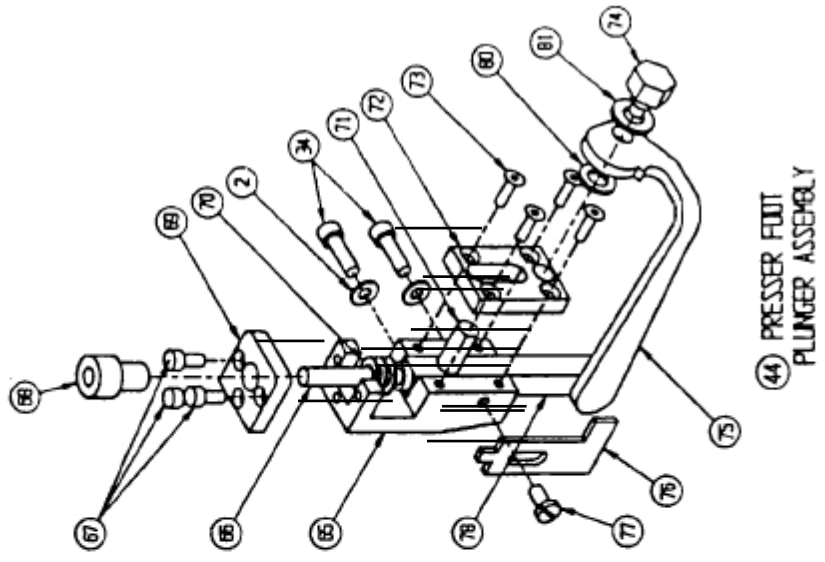
QTY	PART NO	DESCRIPTION
1	119-59558	Table Assembly
2	115-71809	Bolt
3	115-71908	Bolt
15	NS- 6240630-SN	Nut
16	WP- 1102016-SC	Washer
17	WS- 1002560-KR	Spring Washer
18	115-71403	Rubber Cushion
19	SS- 6090630-SP	Screw
20	WP- 0370316-SD	Washer
21	118-50708	Case Presser Plate
22	118-50807	Case Sponge
23	118-49403	Cooling Fan Case
24	118-49379	Frame Support Plate Assembly-
25	NM- 60e0600-SM	Nut
26	WP- 0850002-SC	Washer
27	118-50906	Frame Support Auxiliary Plate
28	118-49361	Frame Support Plate Assembly
29	SM- 9082513-CF	Screw
31	CT33 3	Drawer
32	CT333S	Drawer Support
33	C1012SMS	Screw
34	119-62859	Cloth Waste Chute Assembly
35	119-62800	Cloth Waste Chute Inlet
36	119-62909	Cloth Waste Chute, Upper
37	SS- 5090610-SP	Screw
38	119-80307	Waste Chute Inlet Rubber
39	119-80406	Chute Inlet Rubber Presser
40	NS- 6090310-SP	Nut
41	SK- 2351600-SC	Screw
42	SS- 5110710-SP	Screw
1	118-49908	Waste Chute



SEE FIGURE 2

GALKIN POWER-TRAC COMPONENTS (1)

	PART NO.	DESCRIPTION
3	C1OSTW	Washer
5	C1OLKW	Lockwasher
1	C1032STN	Hex Nut
1	CPT251611	Belt Oiler Bracket
4	C2510SHS	Shoulder Screw
1	C1208GRP	Spring Anchor Pin
5	CPT57907	Idler Roller
1	CB463	Tension Arm Spring
1	CPT151602	Roller Mounting Plate
1	C2516RLP	Belt Guard Pin
1	CPT151608	Belt Tension Arm
1	APT151609	Tension Arm Bearing. Block(with Brg.)
1	APT251609	Belt Oil Cup Assembly (see Figure 2)
4	C063204FHSC	Flat Head Screw
2	03*7STC	Shaft Collar
3	C102432SCS	Socket Cap Screw
	CPT151604	Belt Drive Shaft
	CPT251601	Top Mounting Plate
	CB405	Hex Nut - Heavy
	APT151603	Bearing Block (with Clutch Bearing)
	CB204-2	Thrust Washer
	APT524	Clutch Housing Assy (with 2 Clutches)
	C823B	Shoulder Washer
	C11508	Rod End - Top
	CB406	Hex Nut - Heavy (Left Hand)
	C252014SCS	Cap Screw
	C25LKW	Lockwasher
	C398-6	Connecting Rod - 6" Long
	C11507	Rod End - Bottom
	C103212SSS	Set Screw
	A760071	Hand Wheel (with Set Screws)
	C25HVW	Washer - Heavy
	A750005A	Eccentric Assembly (see Figure 2)
	CSS7112420SP	Cap Screw
	CPT251613	Pulley Adapter
	C103203SSS	Set Screw
	C103212SCS	Cap Screw
	APT251621	Thread Guide Bracket
	C116-36202	Thread Guide
	C25STC	Shaft Collar
	CPT151610	Tension Roller Shaft
	CB335	Top Feed Belt (KEVLAR Reinforced)
	or CB335S	Top Feed Belt (STEEL Reinforced)
	CPT251630	Presser Foot
	APT251622	Presser Foot Plunger Assembly
	CB305M	Top Belt Feed Drive Pulley
2	C102410SCS	Cap Screw
2	C064004PHS	Screw



- GALKIN POWE R | -TRAC COMPONENTS (2)

	PART NO.	DESCRIPTION
1	A118-54403	Belt Oiler Wick Assembly
1	C103214SCS	Cap Screw
1	CPT251602	Mounting Plate Spacer
1	CPT251610	Belt Oil Cup Bracket
1	C231D032	Belt Oil Cup
2	CB457	Washer - Spacer
1	CB619	Hex Brass Coupling
1	CB569	1/8 Barb Fitting
1	CB532	1/8 I.D. Tubing (with Oil Wick
1	C064004PHS	Pan Head Screw
1	A750005	Eccentric Body (with Pinc Screw
1	C11509	Eccentric Cap Plate
2	C87U	Cap Plate Screw
1	C252012SCS	ap Screw (for Item 59)
1	CB4 04	Eccentric Adjusting Screw
1	C11502	Eccentric Adjusting Stud
1	CPT251623	Plunger Bracket
1	CPT251626	Plunger Pressure Stud
3	C083206SCS	Cap Screw
1	CPT251628	Plunger Pressure Adjusting Screw
1	CPT251625'	Plunger Top Plate
1	CPT251629	Plunger Pressure Spring
1	C261D051	Vertical Shaft Stud
1	CPT251624	Plunger Cover Plate
4	C083206FHSC	Flat Head Screw
1	CPT251632	Shoulder Bolt
1	C261D049B	Plunger Lift Lever
1	C750062	Guide Plate
1	C103206BHS	Binding Head Screw
1	CPT251627	Plunger Shaft
1	CPT151619	Rear Belt Guard
1	CB205-31	Fiber Washer
1	C261D05231	Spring Washer

PARTS LISTING

FLANGE GUIDE COMPONENTS

ITEM	QTY	PART No.	DESCRIPTION
1	4	C10STW	Washer
2	6	C1016SMS	Screw
3	1	A18142	Adjustable Flange Guide Assembly
4	1	CB407	ThuirJD Screw
5	1	A18146	Flange Guide Catch Bracket
6	1	CPT151618	Flange Guard
	1	CPT151619	Waslier Plate