

GALKIN AUTOMATED PRODUCTS

GAP295BPT BLINDSTITCH MACHINE

PARTS LIST

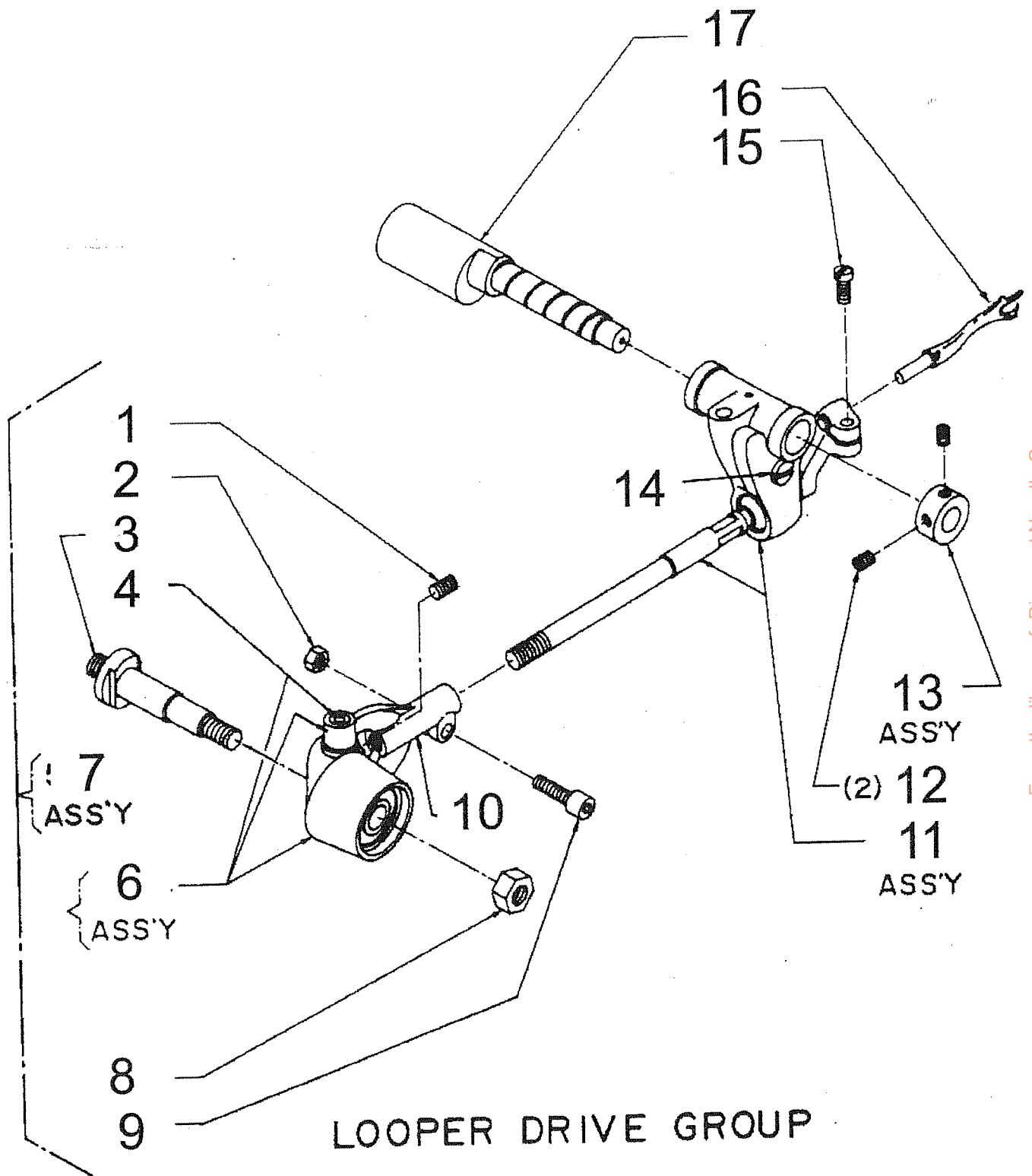
**97 OTIS STREET
WEST BABYLON, NY 11704 USA**



GAP295BPT PARTS LIST

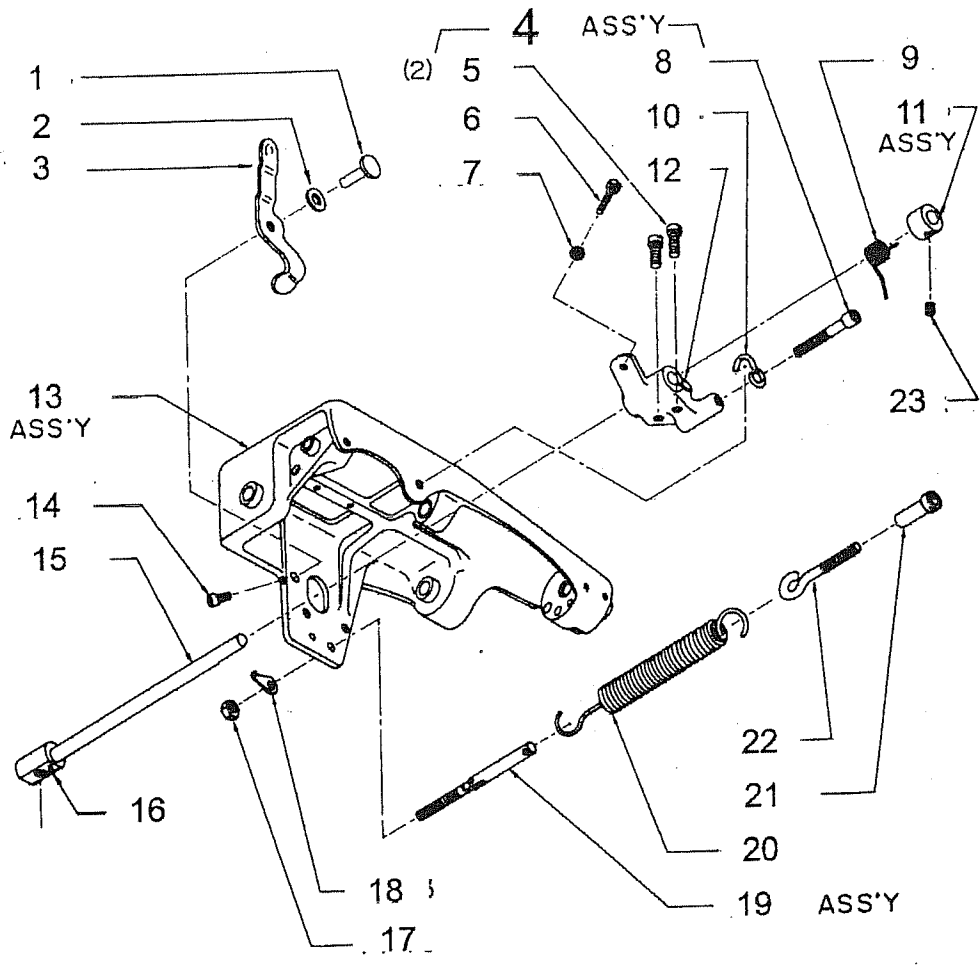
TABLE OF CONTENTS

<u>SECTION</u>	<u>PAGE NO.</u>
1. Looper driver group	4
2. Feed frame group	6
3. Feed drive group	8
4. Feed drive group	10
5. Needle drive group	12
6. Main shaft group	14
7. Main frame group	16
8. Lower feed belt assy	18
9. Top feed belt assy.	20
10. Transmission assy	22
11. Handwheel assy.	24
12. Eccentric assy.	24



GAP295BPT PARTS LIST
Looper Drive Group:

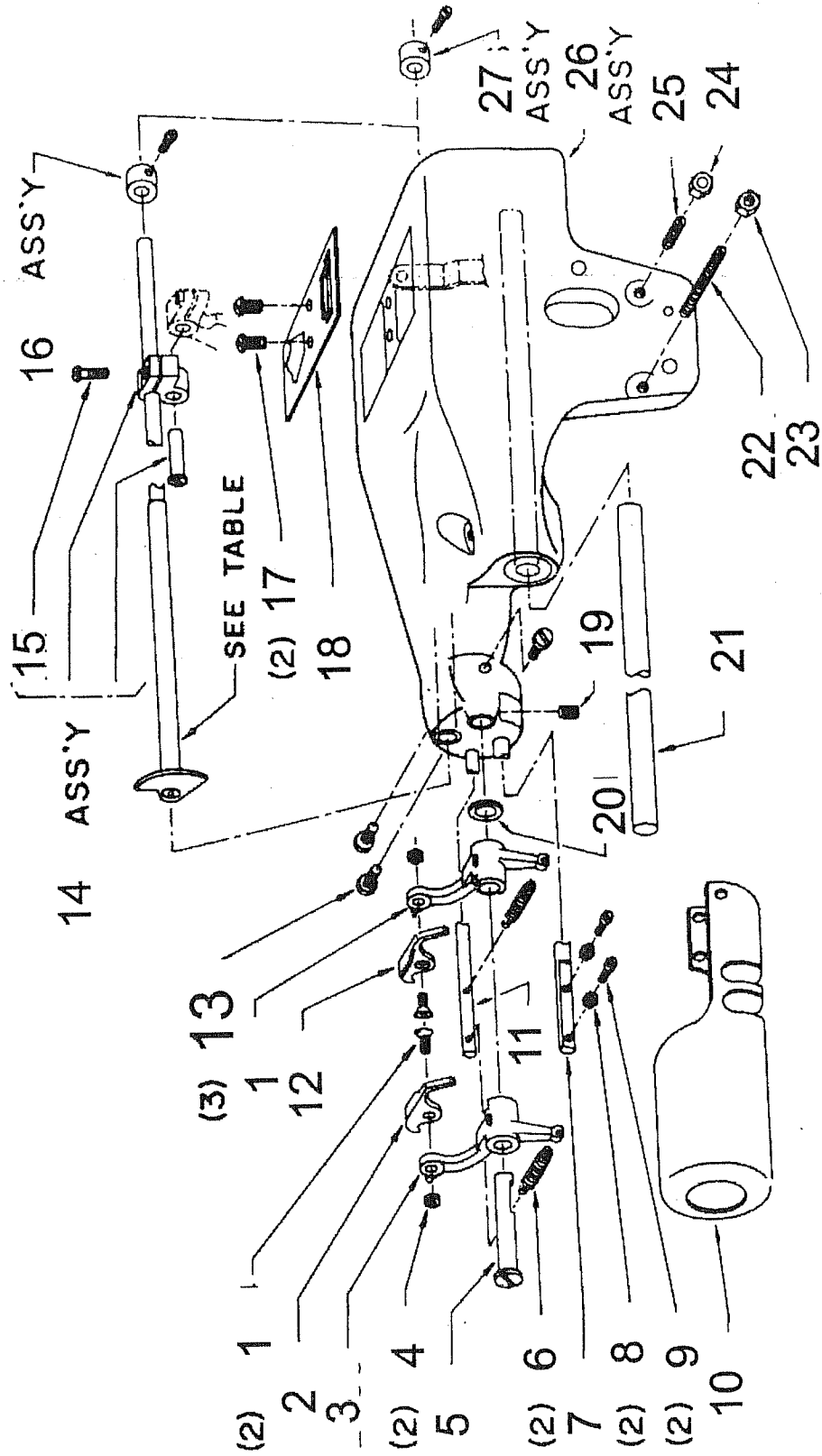
<u>PICTURE NO.</u>	<u>QTY.</u>	<u>PART NO.</u>	<u>DESCRIPTION</u>
1	1	CX1094	Screw
2	1	CX1979	Nut
3	1	CX1123	Stud
4	1	CX1155	Pin
6	1	CX5006	Stud Assembly
7	1	CX5230	Looper Rod Fork Assy.
8	1	CX1146	Nut
9	1	CX3049	Screw
10	1	CX1154	Fork
11	1	CX5186	Looper Rod/Carrier Assy .
12	2	CX1870	Set Screws
13	1	CX5233	Collar Assy.
14	1	CX1117	Screw
15	1	CX1156	Screw
16	1	CX2201	Looper (Heavy Duty)
17	1	CX1150	Stud, looper adjustment



FEED FRAME GROUP II

GAP295BPT PARTS LIST
Feed Frame Group II:

<u>PICTURE NO.</u>	<u>QTY.</u>	<u>PART NO.</u>	<u>DESCRIPTION</u>
1	1	CX1203	Stud
2	1	CX1028	Washer
3	1	CX7024	Lever
4	1	CX5163	Lift Arm Assy
5	2	CX1120	Screw
6	1	CX1035	Screw
7	1	CX1008	Nut
8	1	CX1855	Screw
9	1	CX1061	Spring
10	1	CX1334	Hook
11	1	CX3055	Collar Assy.
12	1	CX1335	Lift Arm
13	1	CX5179	Feed Frame Assy
14	1	CX1007	Screw
15	1	CX5162H	Horizontal Rod
16	1	CX131-31	Pin
17	1	CX1146	Nut
18	1	CX7013	Key
19	1	CX5020	Spring Link Assy
20	1	CX1191	Spring
21	1	CX1184	Nut, Spring
22	1	CX1177	Screw, Link
23	1	CX1992	Set Screw



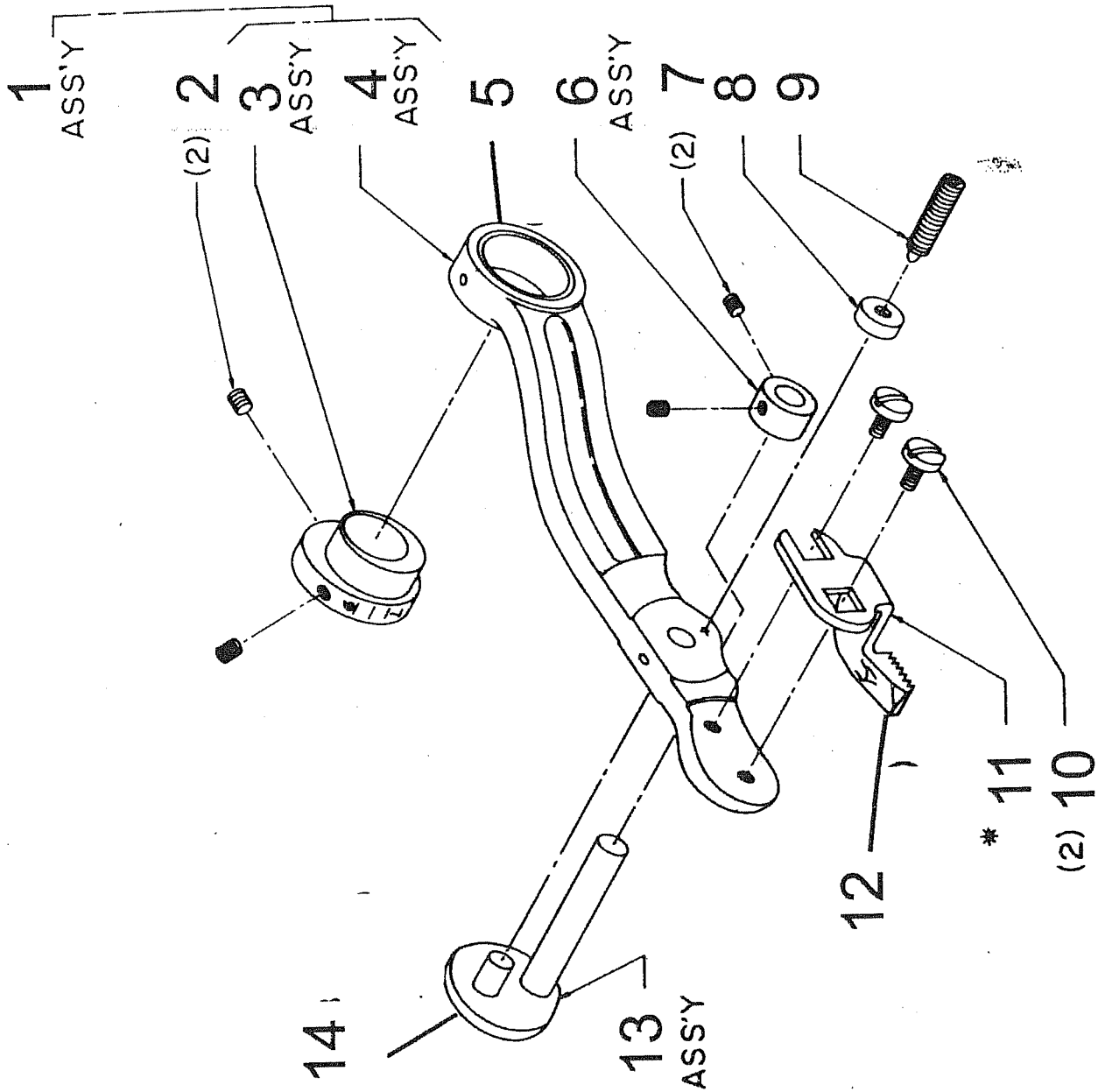
FEED FRAME GROUP I

GAP295BPT PARTS LIST
Feed Frame Group I:

<u>PICTURE NO.</u>	<u>QTY.</u>	<u>PART NO.</u>	<u>DESCRIPTION</u>
1	1	CX1244-4	Screw, Platten
2	1	CX2400	Platten, Left
3	1	CX2473	Platten Bkt, Left
4	2	CX1167	Nut
5	1	CX1379	Stud
6	2	CX3062	Spring
7	1	CX1055	Post
8	2	CX1262	Nut
9	2	CX1710	Stud
10	1	CX7025	Cylinder
11	1	CX1056	Spring Post
12	1	CX2401	Platten, Right
13	3	CX1966	Cylinder Screws
14	1	CX5167	Rib Shaft Crank Assy.
15	1	CX1117	Screw
16	1	CX1836	Collar Assy.
17	2	CX1864	Screw Plate
18	1	CX7019	Plate, Cover
19	1	CX1069	Set Screw
20	1	CX1021	Spacer
21	1	CX7014	Shaft, Rocker
22	1	CX1113	Screw, Frame
23	1	CX1146	Nut
26	1	CX5179	Feed Frame Assy.
27	1	CX1836	Collar Assy

TABLE:

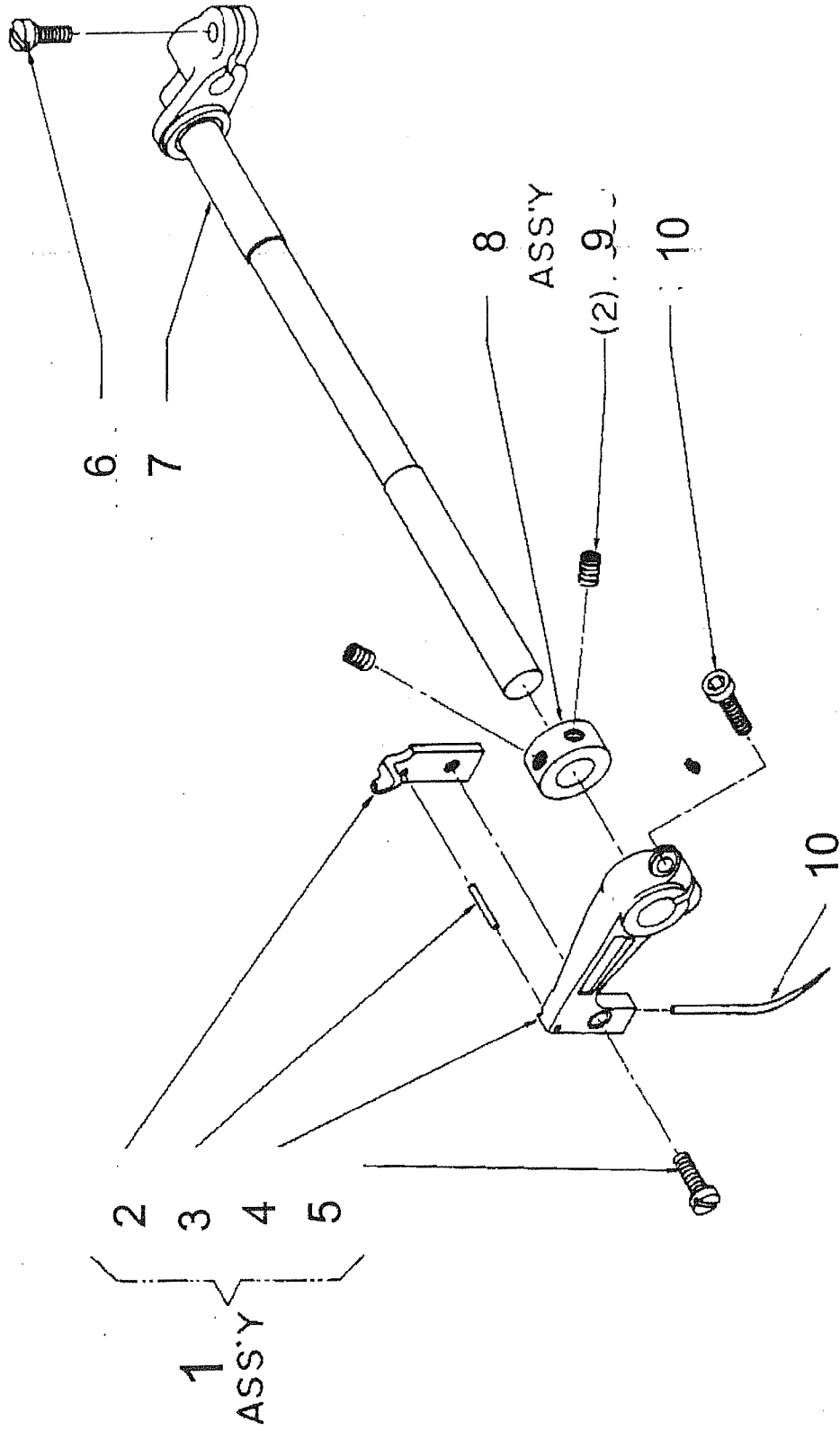
For shaft and rib assembly, order part number CX8067-1



FEED DRIVE GROUP

GAP295BPT PARTS LIST
Feed Drive Group:

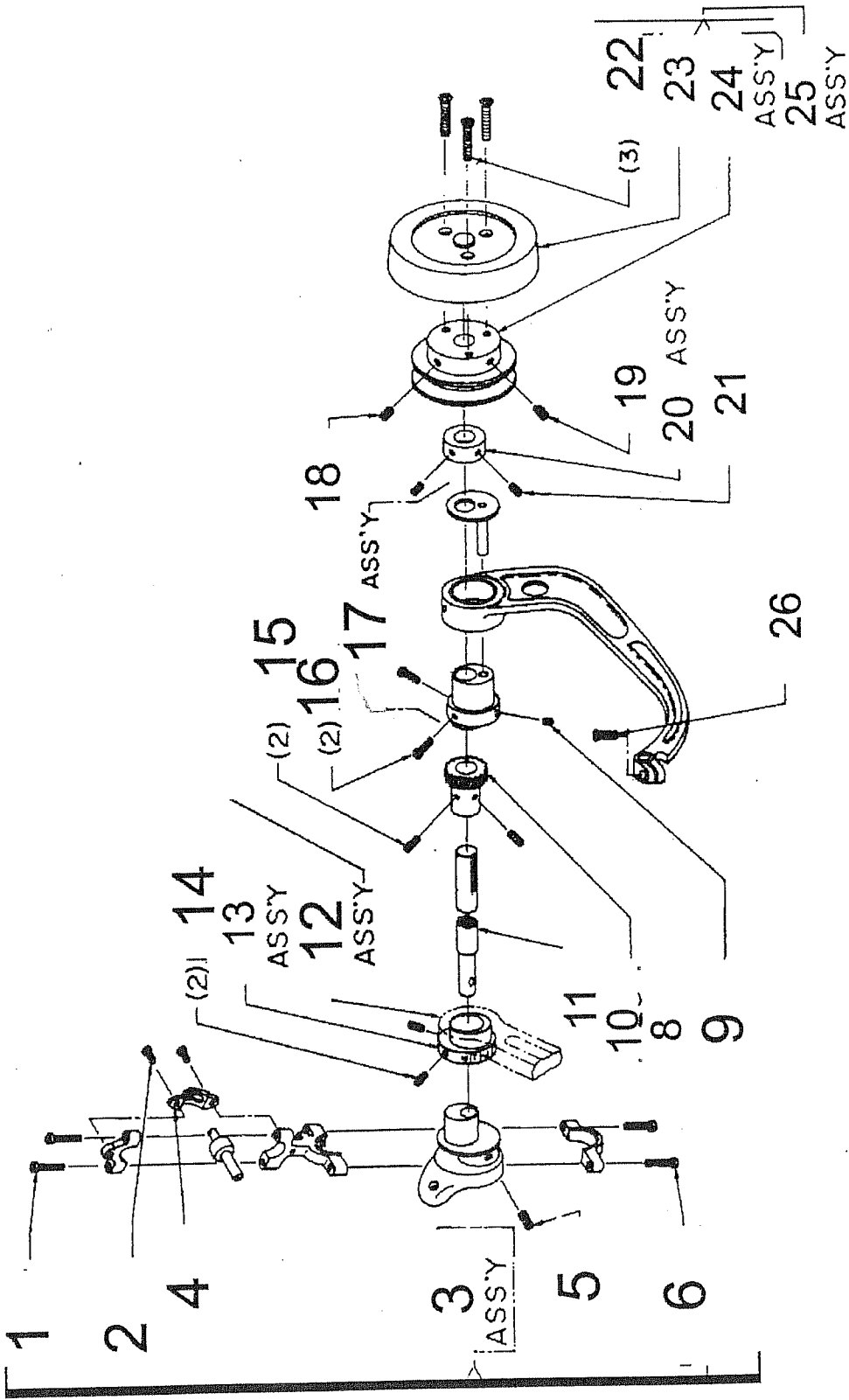
<u>PICTURE NO.</u>	<u>QTY.</u>	<u>PART NO.</u>	<u>DESCRIPTION</u>
1	1	CX5208	Feed Lever & Stitch Collar Assy.
2	2	CX1834	Set Screw
3	1	CX5231	Cam Assy.
4	1	CX5228	Feed Arm Assy
5	1	CX5229	Feed Arm
6	1	CX1821	Collar Assy
7	2	CX1870	Set Screws
8	1	CX3019	Feed Lever Plate
9	1	CX3021	Screw, Lever Plate
10	2	CX1119	Screw
11	1	CX2106	Feeder, Carbide
13	1	CX5016	Feed Rocker Assy.
14	1	CX5023	Feed Rocker



NEEDLE DRIVE GROUP

GAP295BPT PARTS LIST
Needle Drive Group:

<u>PICTURE NO.</u>	<u>QTY.</u>	<u>PART NO.</u>	<u>DESCRIPTION</u>
1	1	CX5082	Needle Lever Assy.
2	1	CX1137	Clamp
3	1	CX1243	Pin
4	1	CX1136	Lever
5	1	CX1076	Screw
6	1	CX1118	Screw
7	1	CX1095	Shaft
8	1	CX5135	Collar Assy.
9	2	CX1089	Screw
10	1	CX-5 1/2	Needle
10B	1	CX3050	Clamp Screw

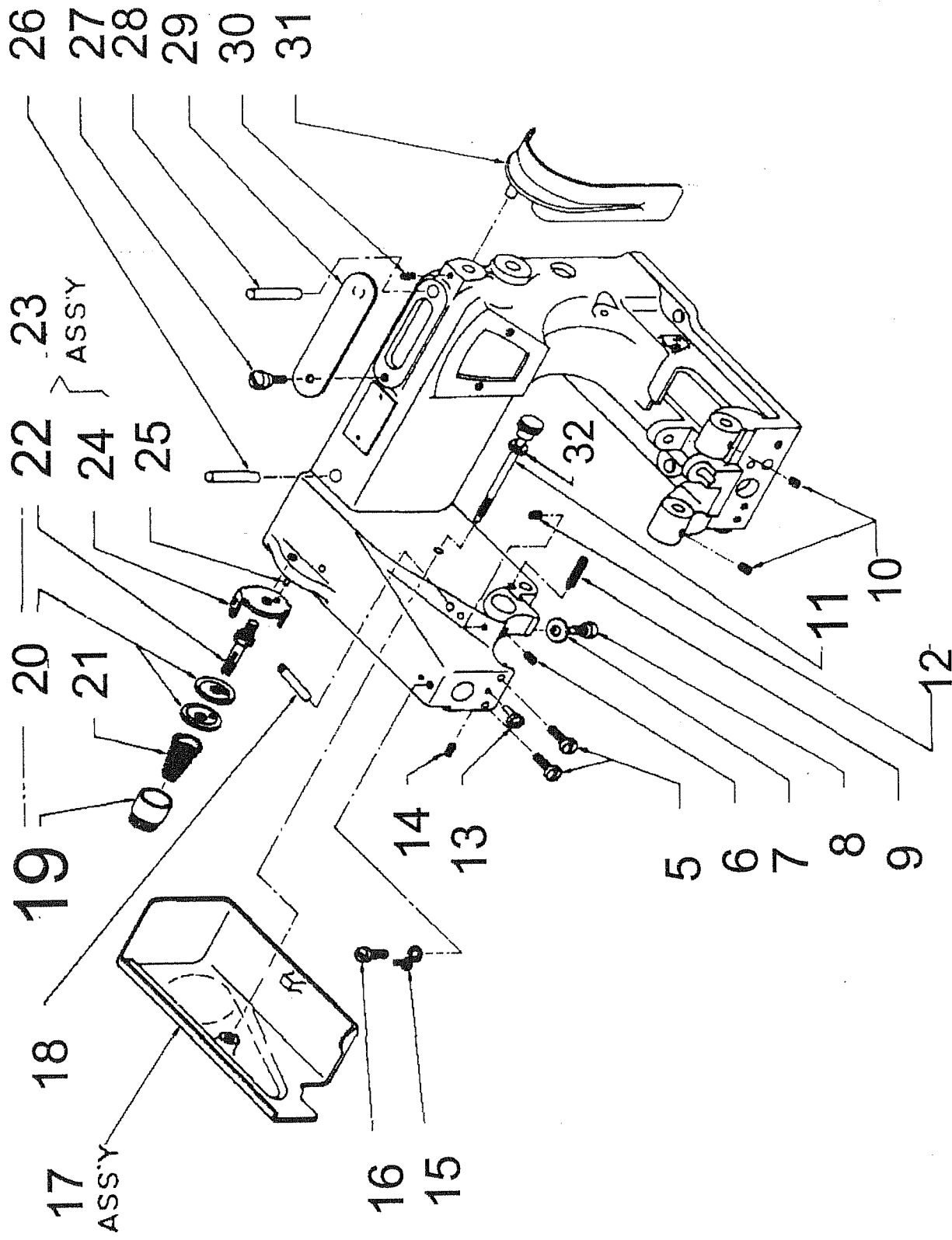


MAIN SHAFT GROUP

GAP295BPT PARTS LIST

Main Shaft Group:

<u>PICTURE NO.</u>	<u>QTY.</u>	<u>PART NO.</u>	<u>DESCRIPTION</u>
1	2	CX1072	Screw
2	1	CX1132	Screw
3	1	CX5004-1	Needle Connection Assy
4	1	CX1134-1	Guard
5	1	CX1331-1	Set Screw
6	2	CX1072	Screw
8	1	CX1129-1	Gear spiral 2-1 Ratio
9	1	CX1973	Screw for stud
11	1	CX7012	Main Shaft
12	1	CX5228	Feed Arm Assy.
13	1	CX5321	Stitch Collar Assy.
14	2	CX1834	Screw
15	2	CX1069	Screw
16	2	CX1974	Screw
17	1	CX5003-1	Rib Connection lever/eccentric Assy.
18	1	CX1069	Screw
19	1	CX1121	Screw
20	1	CX1845	Collar Assy.
21	2	CX1971	Set Screws
22	3	C103220SCS	Screws
23	1	CX3290	Handwheel
24	1	CX3032	Pulley Assembly
25	1	CX5226	Handwheel Assy

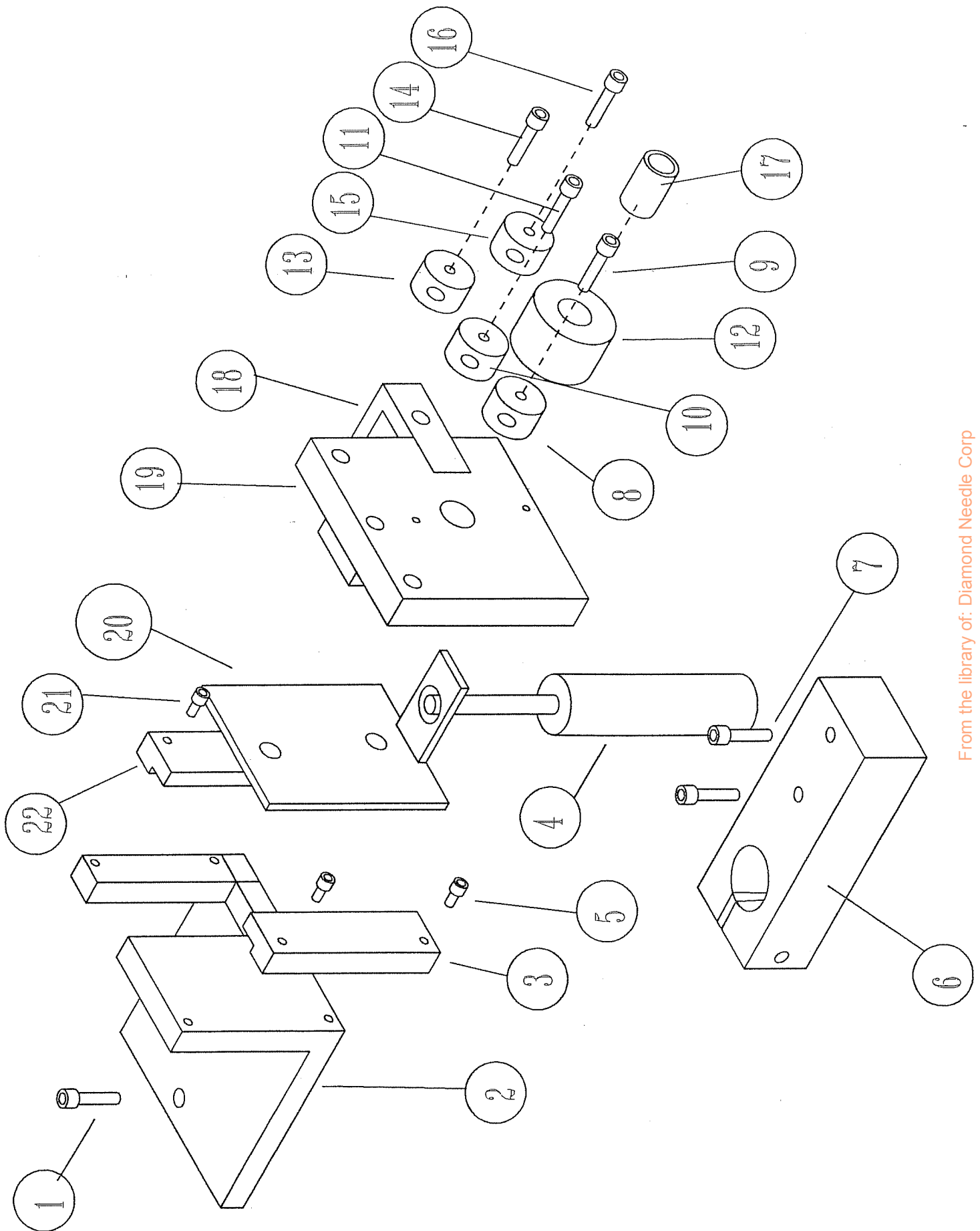


MAIN FRAME GROUP

GAP295BPT PARTS LIST
Main Frame Group:

<u>PICTURE NO.</u>	<u>QTY.</u>	<u>PART NO.</u>	<u>DESCRIPTION</u>
5	2	CX1107	Screw
6	1	CX1289	Screw
7	1	CX3281	Washer
8	1	CX1108	Screw
9	1	CX3021	Screw, Feed lever plate
10	2	CX1093	Screw, Set
11	1	CX5019	Screw, side cover
12	1	CX1289	Screw, set
13	1	CX1240	Pin, presserfoot
14	1	CX1089	Screw, set
15	1	CX1080	Thread guide
16	1	CX1070	Screw, thread guide
17	1	CX5182	Side cover Assy.
18	1	CX1005	Tube, oil
19	1	CX7022	Nut, tension
20	2	CX1324	Disc, tension
21	1	CX1329	Spring, tension
22	1	CX1330	Post, thread tension
23	1	CX5174	Thread tension assembly
24	1	CX7023	Thread Guide
25	1	CX1811	Pin, spring
26	1	CX1006	Wick, Oil
27	1	CX1096	Screw
28	1	CX1006	Wick, Oil
29	1	CX7028	Plate, top cover
30	1	CX1069	Screw, guard
31	1	CX7004	Cover, Side

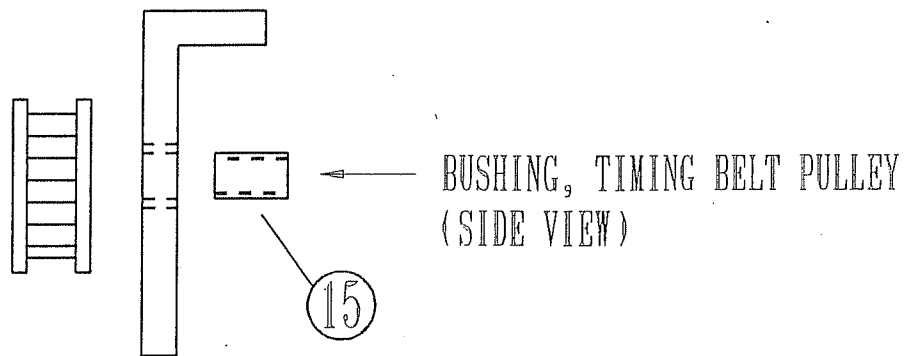
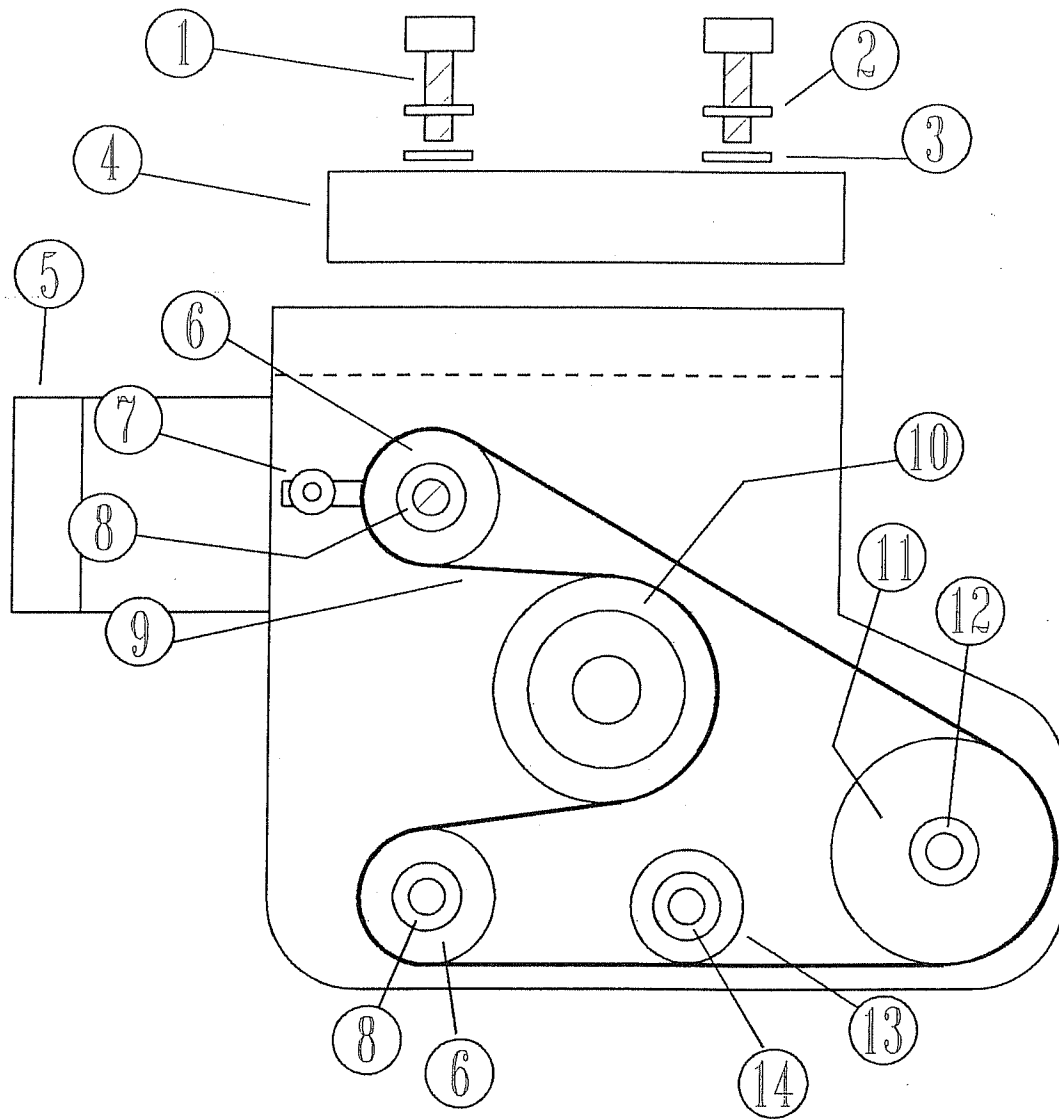
LOWER BELT ASSEMBLY



GAP295BPT PARTS LIST
Lower Feed Belt Assembly:

<u>PICTURE NO.</u>	<u>QTY.</u>	<u>PART NO.</u>	<u>DESCRIPTION</u>
1	2	C252008SCS	Screw
2	1	C295027	Angle, mounting
3	1	C295028	Guide, left side...
4	1	CB561	Cylinder
5	2	C083206BHS	Screw
6	1	C295026	Cylinder Mount Block
7	2	C371616SCS	Screw
	2	C37STW	Washers (Not Shown)
8	1	C295035	Front Idler Roller
9	1	C3712SHS	Shoulder Screw
10	1	C295064	Idler roller, center
11	1	C3712SHS	Shoulder Screw
12	1	C10LO50	Timing Belt Pulley
13	1	C295034	Idler Roller
14	1	C2950396	Shoulder Screw
15	1	C295034	Idler Roller
16	1	C3712SHS	Shoulder Screw
17	1	CB228	Bearing
18	1	C295033	Tension Adjust Angle
19	1	C295025	Plate, slide
20	1	C295030	Angle, guide - slide plate
21	2	C083206BHS	Screw
22	1	C295029	Guide plate, Right side

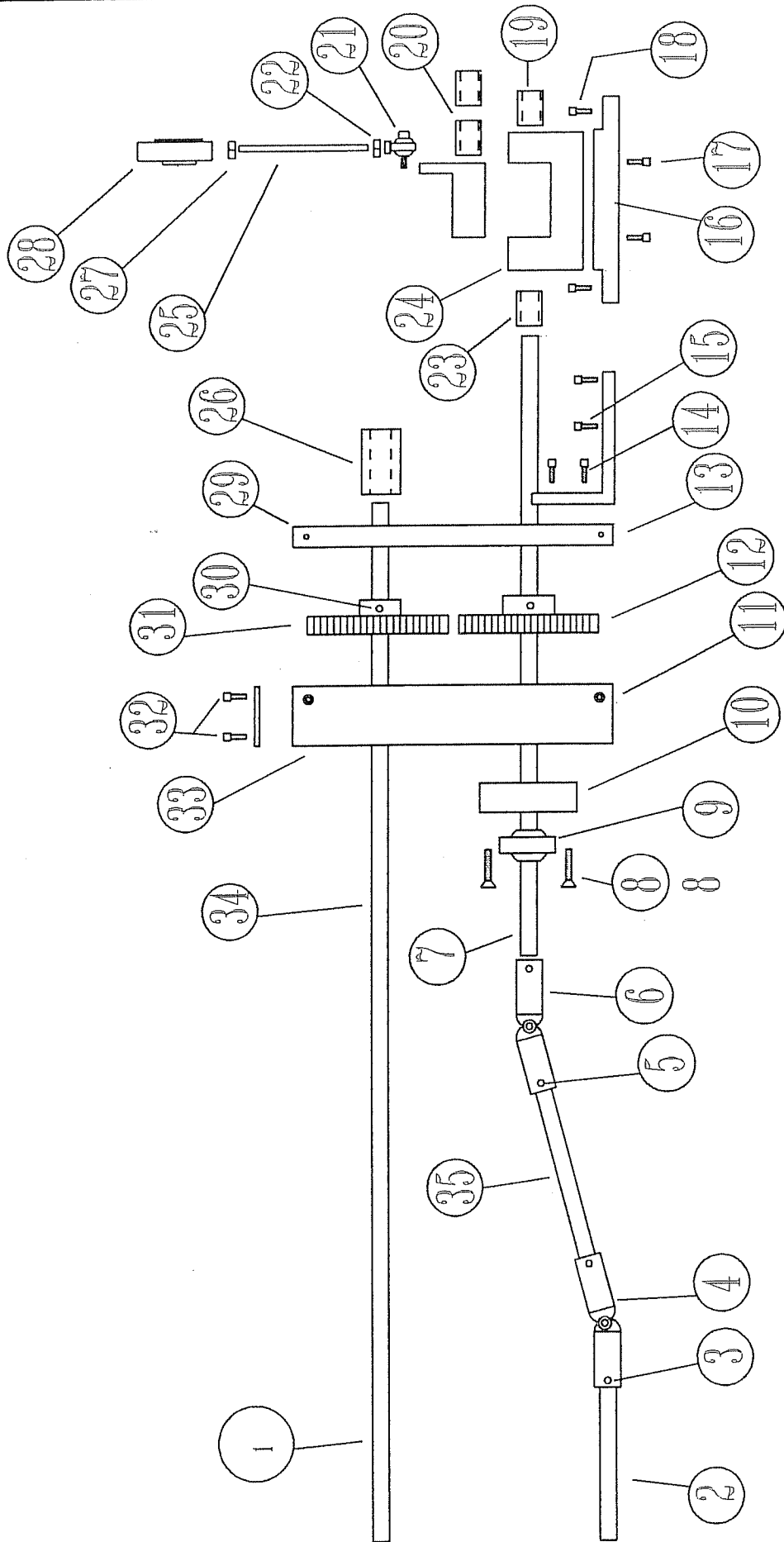
TOP FEED BELT ASSEMBLY



GAP295BPT PARTS LIST
Top Feed Belt Assembly:

<u>PICTURE NO.</u>	<u>QTY.</u>	<u>PART NO.</u>	<u>DESCRIPTION</u>
1	2	C252016SCS	Screws, mounting
2	2	C25LKW	Washer
3	2	C25STW	Washer
4	1	C295002	Top Plate, Main
5	1	C295019	Idler adjusting bracket
6	1	C295034	Idler Roller
7	1	C103212SCS	Screw, locking - Idler adjust
8	1	C3712SHS	Shoulder screw, Idler
9	2	CB304S	Feed Belt, Bottom/Top
10	1	CB309	Timing belt pulley
11	1	C295035	Idler roller, front
12	1	C3712SHS	Shoulder Screw
13	1	C295065	Idler roller, center
14	1	C1012SHS	Shoulder Screw
15	1	CB228	Bearing, shaft

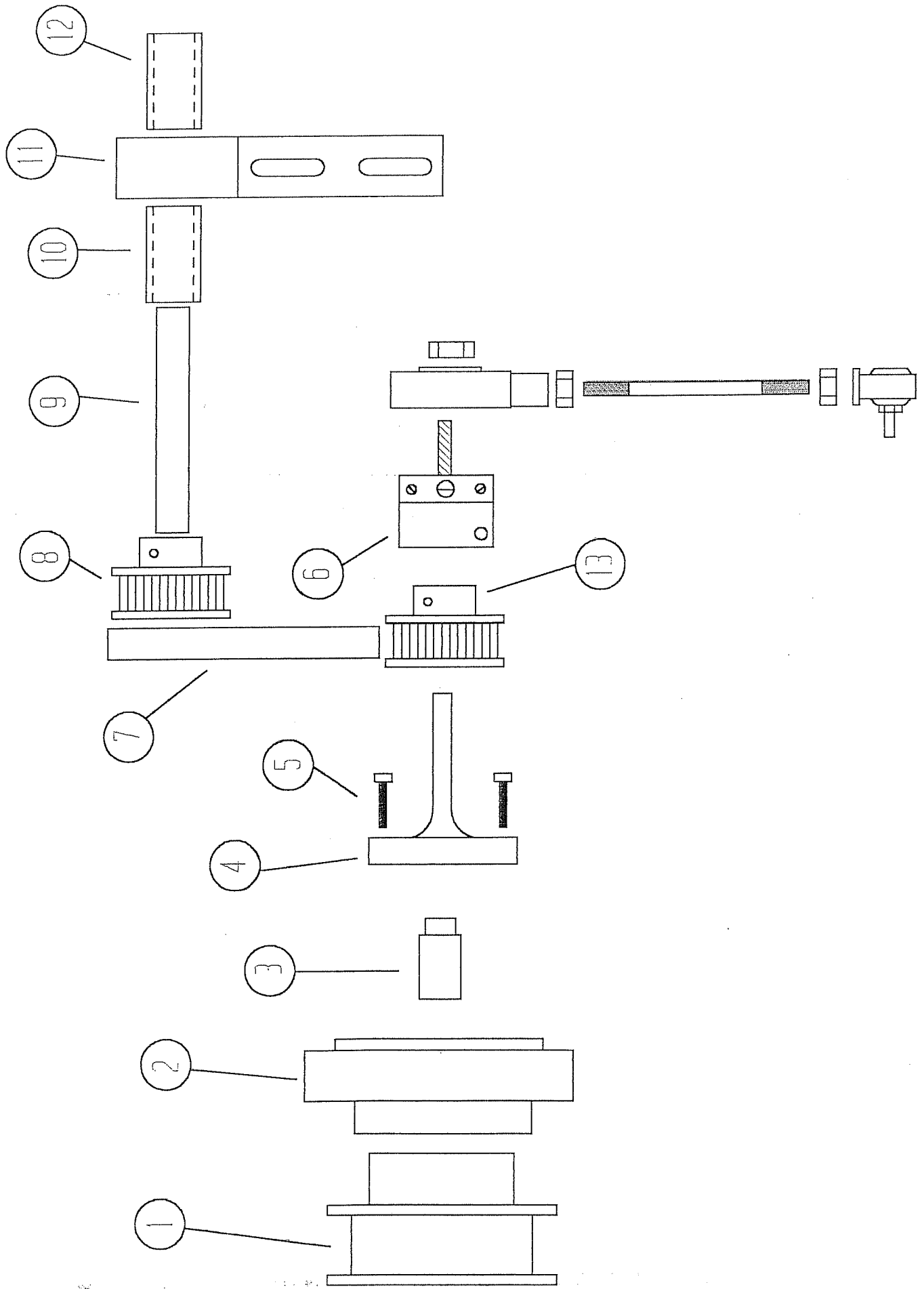
TRANSMISSION ASSEMBLY



GAP295BPT PARTS LIST
Transmission Assembly:

<u>PICTURE NO.</u>	<u>QTY.</u>	<u>PART NO.</u>	<u>DESCRIPTION</u>
1	1	C295021	Shaft, upper drive
2	1	C295031	Shaft, timing belt drive - lower
3	4	C063203SS	Screw, set
4	1	C261DO16	Universal
5	2	C063203SS	Screw, set
6	1	C261D016	Universal
7	1	C295009	Shaft, lower drive
8	4	C102408FHSC	Screws
9	1	CB251	Self aligning bearing
10	1	C295024	Block, mount - bearing
12	1	C295016	Gear, drive
13	1	C295014	Plate, gear mounting
14	2	C252016SCS	Screws
15	2	C252016SCS	Screws
16	1	C295027	Riser, clutch yoke
17	2	C252016SCS	Screws
18	2	C252012SCS	Screws
19	1	CB259	Bearing
20	2	CB105	Clutches
21	1	C11508	Rod end
22	1	CB404	Nut
23	1	CB105	Clutch
24	1	CPT524	Clutch housing
25	1	C398-3.5	Connecting Rod
26	1	CB232	Bearing
27	1	CB406	Nut, left hand
28	1	A11507	Rod end, upper
29	1	C295014	Plate, Gear mounting
30	2	C252004SSS	Set Screw
31	2	C295016	Gear, drive
33	1	C295017	Cover, gear - side
35	1	C295008	Shaft, drive, lower belt universal

HANDWHEEL ASSEMBLY



GAP295 PARTS LIST
HANDWHEEL ASSEMBLY:

<u>PICTURE NO.</u>	<u>QTY.</u>	<u>PART NO.</u>	<u>DESCRIPTION</u>
1	1	CX3032	Pulley Assembly
2	1	CX3290	Handwheel Assembly
3	1	C295061	Handwheel adapter locator
4	1	C295006	Handwheel Adapter
5	3	C103232	Adapter Screw
6	1	A750005	Eccentric Assembly
7	1	CB345	Belt, timing
8	1	CB305	Pulley, timing
9	1	C295002	Shaft, synchronizer
10	1	CB243	Bearing, shaft
11	1	CLAZZ013	Bearing block
12	1	C295013	Hub, synchronizer
13	1	CB305	Pulley, timing

ECCENTRIC ASSY (BELOW)

<u>PICTURE NO.</u>	<u>QTY.</u>	<u>PART NO.</u>	<u>DESCRIPTION</u>
22	1	C252012SCS	Screw
38	1	CB405	Nut
39	1	C10STW	Washer
64	1	A750005	Eccentric Body
65	1	C11509	Cap plate
66	2	C87U	Cap Plate screws
67	1	CB404	Eccentric adjusting screw

