

GALKIN AUTOMATED PRODUCTS

GAP 3301-010 FLANGE MACHINE

PARTS LIST

97 OTIS STREET
WEST BABYLON , NY 11704

Corporate Office
Phone: 631-643-5432
Fax: 631-643-1472

Parts Department
Phone: 631-643-5432 x120
Fax: 877-452-5463

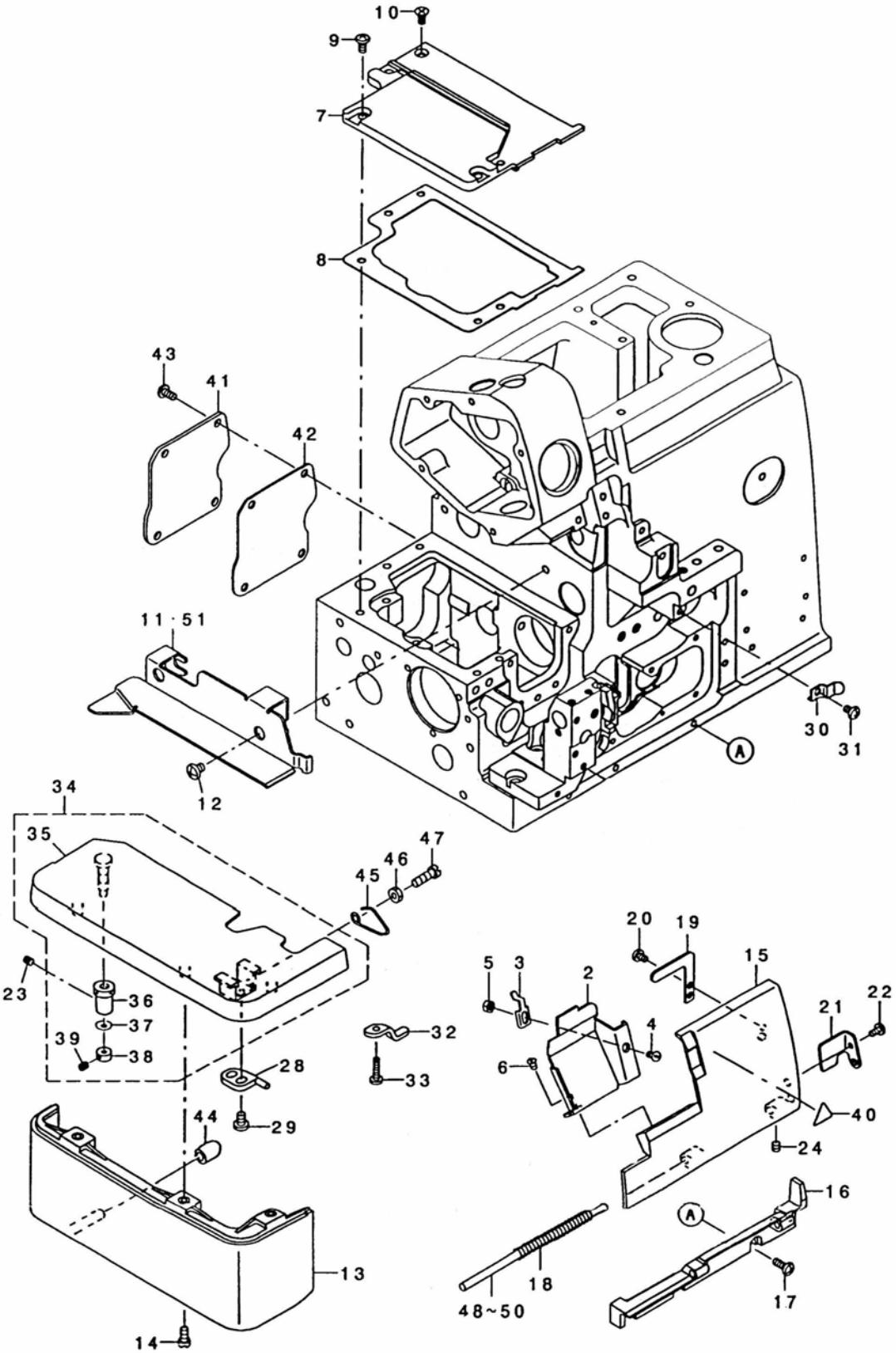
The logo consists of the word "GALKIN" in a white, serif, all-caps font, centered within a solid black oval shape.

GALKIN

Table Of Contents

1	Frame Components (1)	4-5
2	Frame Components (2)	6-7
3	Crankshaft Components	8-9
4	Needle Driving Shaft Components	10-11
5	Feed Mechanism Components (1)	12-13
6	Feed Mechanism Components (2)	14-15
7	Upper and Lower Looper Components	16-17
8	Chain Looper Components	18-19
9	Presser Foot Components	20-21
10	Thread Tension Components	22-23
11	Lower Knife Components	24-25
12	Upper Knife Components	26-27
13	Lubrication Mechanism Components	28-29
14	Thread Stand Components	30-31
15	Top Plate and Translator Components	32-33
16	Foot Lift Components	34-35
17	Driving Belt and Tension Arm Components	36-37
18	Waste Disposal Components	38-39
19	Flange Guide Components	40
20	Pneumatic Drawing	41

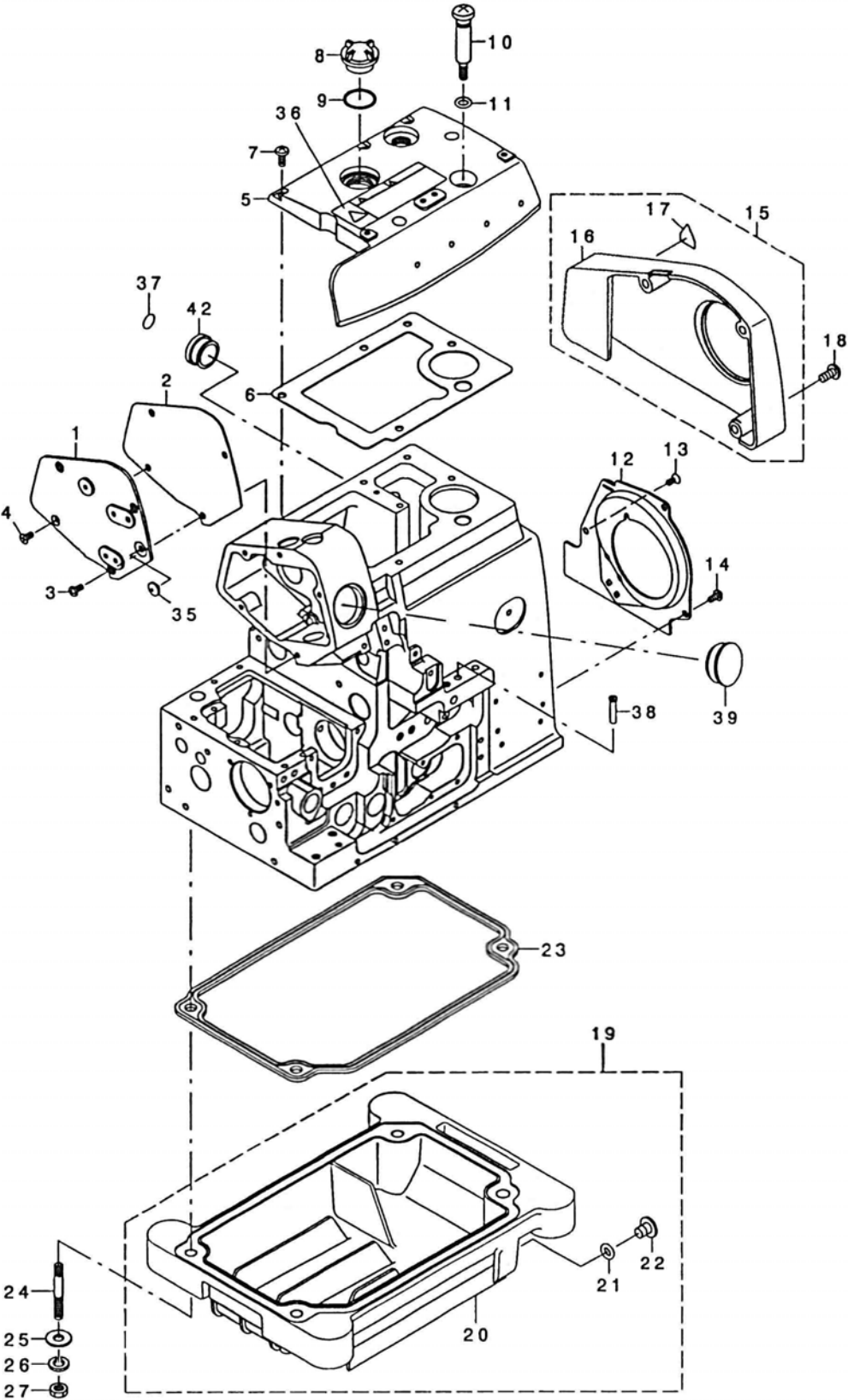
FRAME COMPONENTS (1)



FRAME COMPONENTS (1)

Reference Nos.	Part Number	Description	Quantity
2	C123-79608	Cloth Waste Cover	1
3	C131-02405	Cloth Waste Cover Stopper	1
4	CSS-2090520-SL	Screw	1
5	CNS-6090310-SN	Nut	1
6	CSS-3090610-SP	Screw	2
7	C132-00704	Feed Mechanism Cover	1
8	C132-00803	Feed Mechanism Cover Gasket	1
9	CSM-4040855-SP	Screw	4
10	CSM-1040801-SC	Screw	1
12	CSS-4120615-SP	Screw	2
13	C131-03809	Cloth Base Cover	1
14	CSS-4091015-SP	Screw	2
15	C131-00904	Looper Cover	1
16	C131-00805	Looper Cover Bracket	1
17	CSM-4041055-SP	Screw	3
18	C131-01209	Looper Cover Spring	1
19	C131-01407	Looper Cover Presser Plate	1
20	CSS-7090530-SP	Screw	1
21	C131-01001	Looper Cover Guide Plate	1
22	CSS-7090610-SP	Screw	1
23	CSS-8110410-TP	Screw	1
24	CSS-8110410-TP	Screw	1
27	CSS-7110510-SP	Screw	2
28	C121-03305	Cloth Base Switch- Type Stopper	1
29	CSS-7110710-SP	Screw	2
30	C131-01308	Looper Cover Presser Spring	1
31	CSM-4040655	Screw	1
32	C131-01803	Cloth Base Support Plate	1
33	CSS-7091410-SP	Screw	1
34	C121-05359	Cloth Base Assly.	1
35	C121-02752	Cloth Base Assly.	(1)
36	C115-01301	Eccentric Bushing	(1)
37	CWZ-0420350	Disc Spring	(1)
38	CCS-0400671-SD	Thrust Holder	(1)
39	CSM-8040302	Setscrew	(1)
40	CCM-3002000-01	Attention Seal	1
41	C132-01504	Adjusting Hole Cover	1
42	C132-01603	Adjusting Hole Cover Gasket	1
43	CSM-4040855-SP	Screw	4
44	C131-04302	Cloth Base Cover Rubber Plug	1
45	C131-02207	Cloth Base Switch- Type Spring	1
46	CHS-6110420-SP	Nut	1
47	CSS-6111440-Sp	Screw	1
48	C132-40007	Looper Cover Hinge Shaft A	1
51	C123-70300	Cloth Base Side Cover (Inter)	1

FRAME COMPONENTS (2)

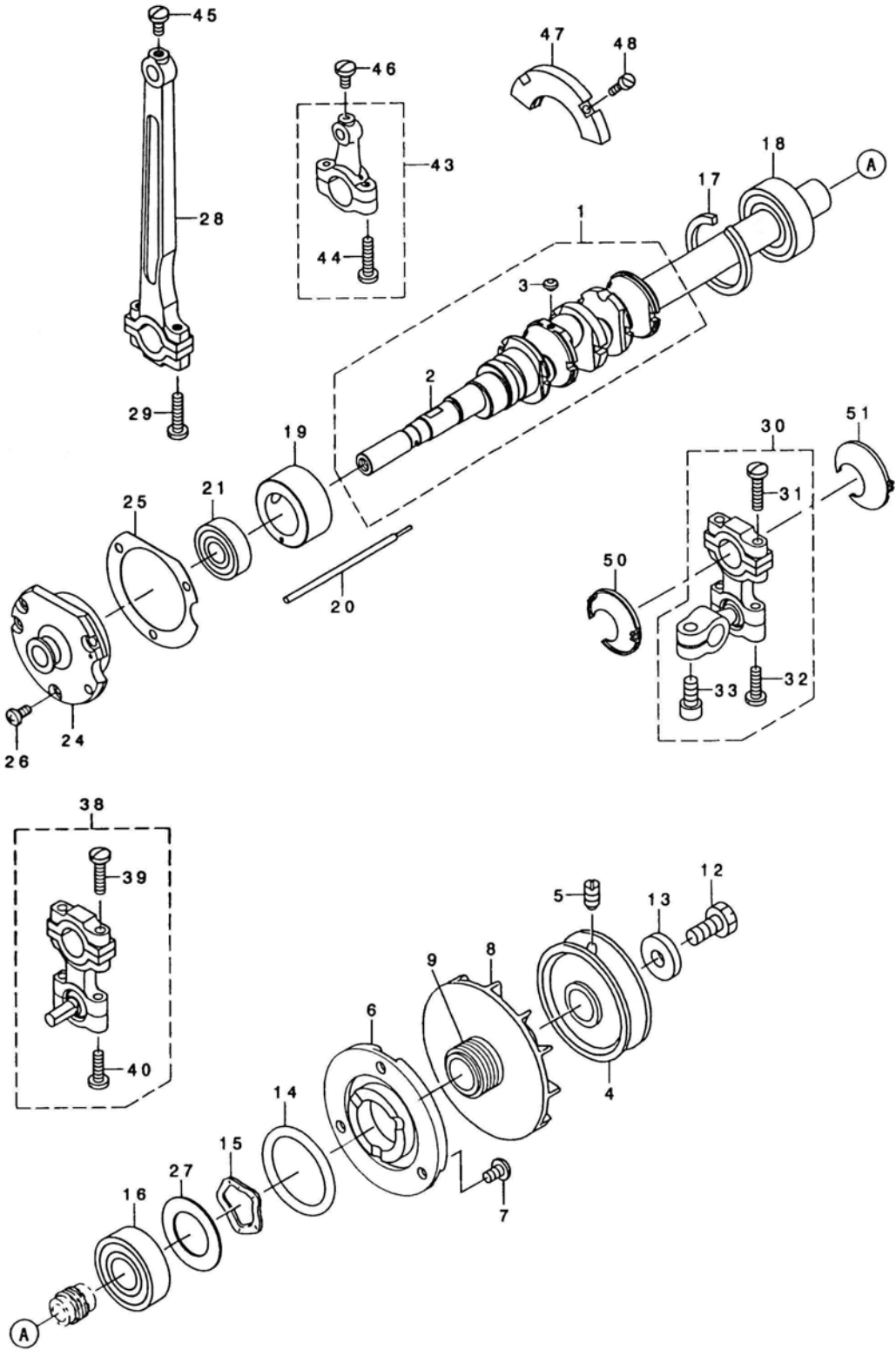


From the library of: Diamond Needle Corp

FRAME COMPONENTS (2)

Reference Nos.	Part Number	Description	Quantity
1	C3328	Side Cover	1
2	C3329	Side Cover Gasket	1
3	CSM-4040855-SP	Screw	3
4	CSM-1040801-SC	Screw	1
5	C132-00407	Upper Cover	1
6	C132-00605	Upper Cover Gasket	1
7	CSM-4051255-SP	Screw	5
8	C229-24708	Oil Sight Window	1
9	C131-70006	Rubber Ring	1
10	C131-04500	Oil Drain Screw	1
11	C131-70204	Rubber Ring	1
12	C132-01009	Cooling Fan Plate	1
13	CSM-1040801-SC	Screw	1
14	CSM-4040855-SP	Screw	2
15	C132-01454	Belt Cover Assembly	1
16	C132-01405	Belt Cover	(1)
17	CCM-3002000-A1	Caution Label (16)	(1)
18	CSS-4151215-SP	Screw	3
19	C131-02553	Oil Reservoir Assembly	1
20	C131-02504	Oil Reservoir	(1)
21	C131-70105	Rubber Ring	(1)
22	C131-71004	Drain Screw	(1)
23	C131-02603	Oil Reservoir Gasket	1
24	C131-03908	Screw Stud	4
25	CWP-0751576-SD	Washer	4
26	CWS-0822010-KP	Spring Washer	4
27	CNS-6680410-SP	Nut	4
35	C132-04003	Safety Plate Bush	1
36	CCM-3002001-B1	Safety Label 12	1
37	C229-01805	Ground Mark	1
38	C131-02900	Thread Guide, Large	2
39	C107-53309	Window Plate Rubber Plug	1
42	CTA-2050805-RO	Rubber Plug	1

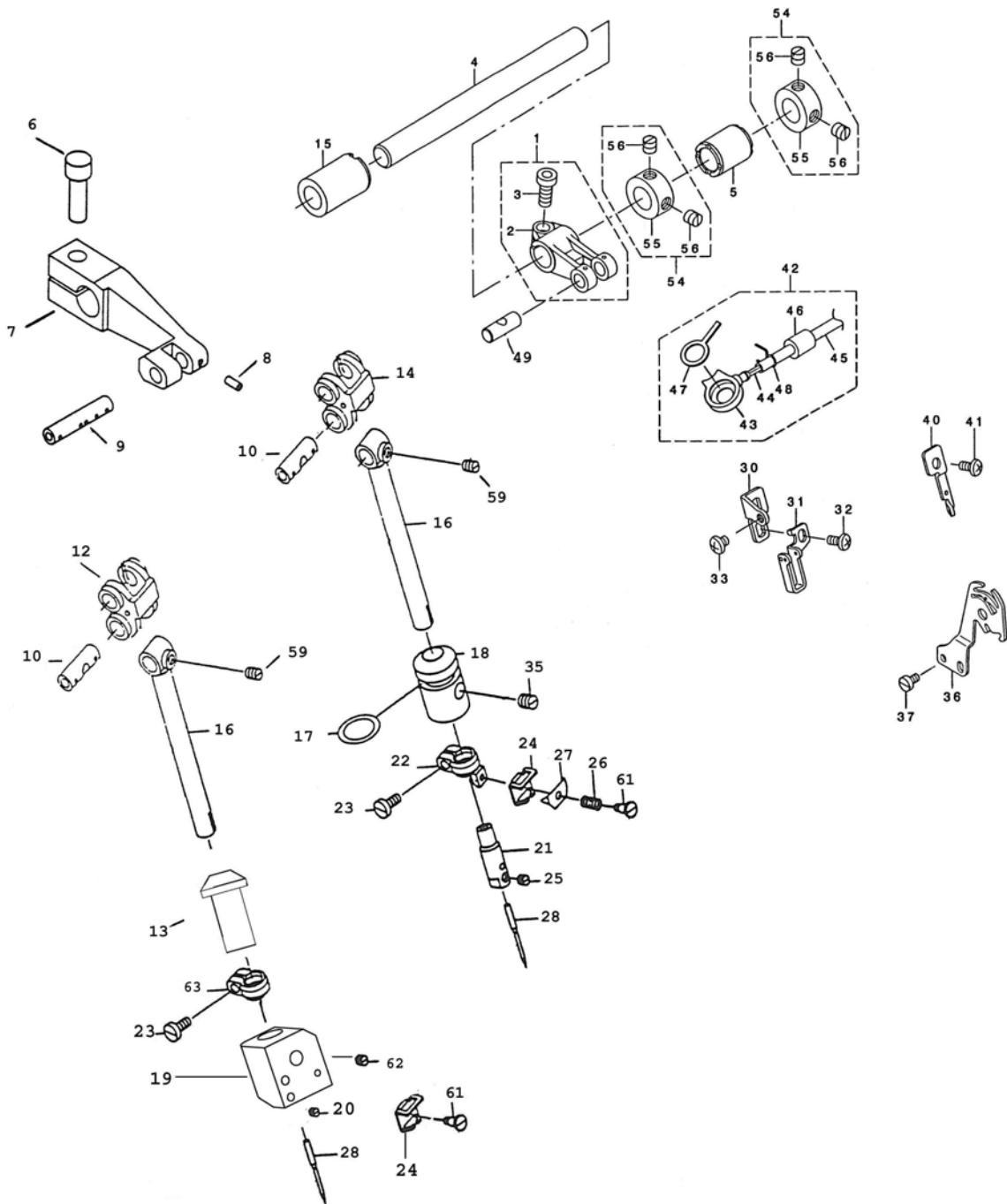
CRANKSHAFT COMPONENTS



CRANKSHAFT COMPONENTS

Reference Nos.	Part Number	Description	Quantity
1	C132-05554	Crankshaft Assembly	1
2	C132-05505	Crankshaft	(1)
3	SS-5080212-TP	Screw	(5)
4	C120-02606	Handwheel A	1
5	CSS-8151150-TP	Screw	2
6	C131-07800	Thrust Collar	1
7	CSM-4050855-SP	Screw	3
8	C118-11619	Cooling Fan	1
9	C131-08501	Crankshaft Oil Shield	1
11	CSS--7111810-TP	Screw	3
12	CSS-9681610-TP	Screw	1
13	CWP-0764016	Washer	1
14	C131-70303	Rubber Ring	1
15	CWZ_2640310-KH	Wavy Washer	1
16	C131-08600	Crankshaft Ball Bearing B	1
17	CB1212-704-000	Bearing Retainer	1
18	C131-08600	Crankshaft Ball Bearing B	1
19	C132-05406	Crankshaft Bushing C	1
20	C131-04906	Oil Adjusting Bar	1
22	C131-08907	Crankshaft Ball Bearing D	1
24	C131-08105	Crankshaft Bushing D	1
25	C121-08403	Crankshaft Bushing D Gasket	1
26	CSM-4040855-SP	Screw	3
27	C131-08303	Bearing Holding Plate	1
28	C123-72603	Connecting Rod	1
29	CSS-7111810-TP	Screw	2
30	C123-75051	Upper Looper Arm Assembly	1
31	CSS-7111810-TP	Screw	(2)
32	CSS-7111410-TP	Screw	(2)
33	CSM-6061202-TP	Screw	(1)
38	C123-75259	Lower Looper Arm B Assembly	1
39	CSS-7111810-TP	Screw	(2)
40	CSS-7111410-TP	Screw	(2)
41	C132-20801	Looper Rod Center Rest, Left	1
42	C132-20900	Looper Rod Center Rest, Right	1
43	C121-32155	Knife Driving Rod Assembly	1
44	CSS-7111810-TP	Screw	(2)
45	CSS-7110840-SP	Screw	1
46	CSS-7110840-SP	Screw	1
47	C132-05901	Balancer	1
48	CSS-6081210-TP	Screw	2
50	C132-21007	Looper Rod Center Rest, Left	1
51	132-21106	Looper Rod Center Rest, Right	1

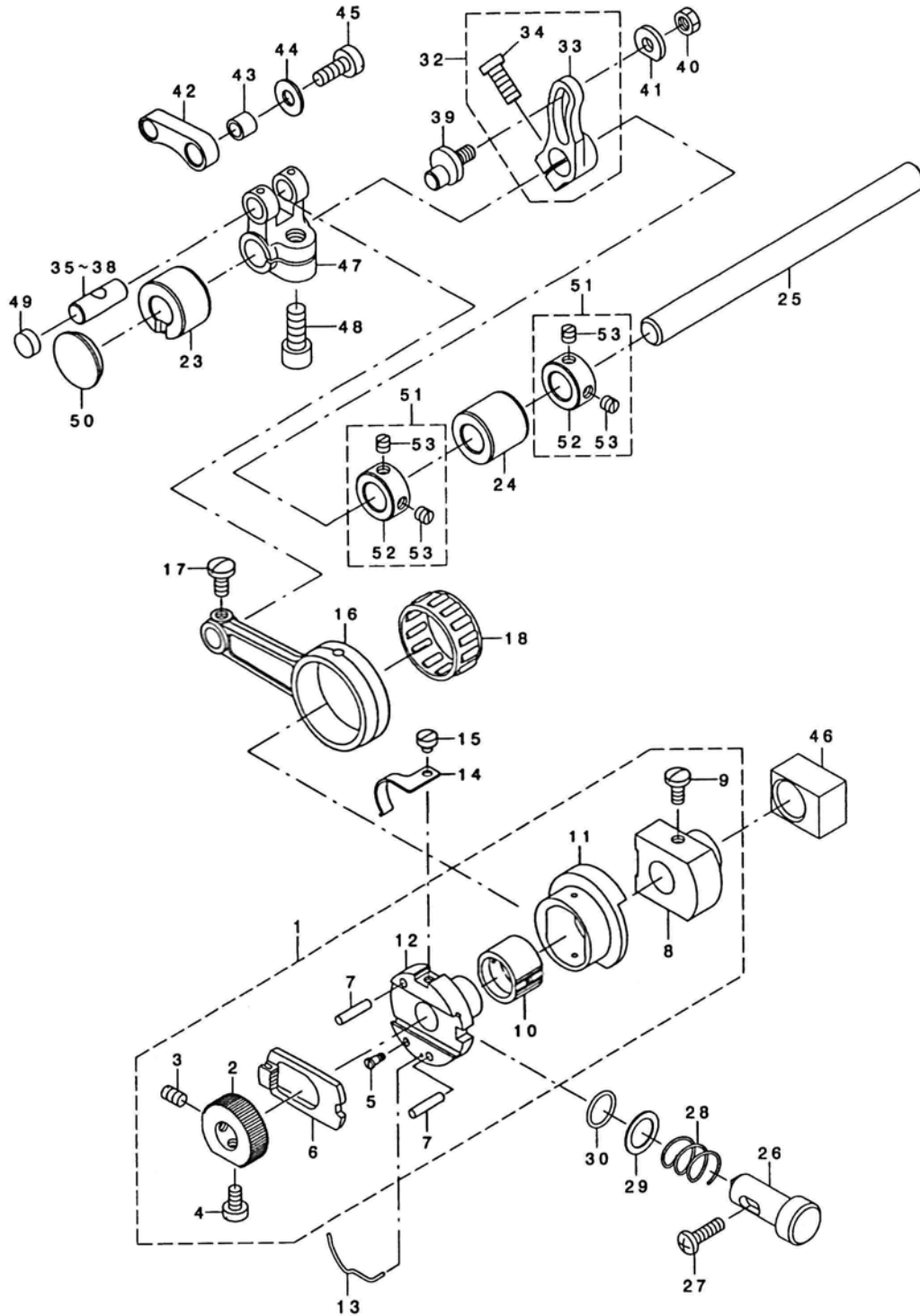
NEEDLE DRIVING SHAFT COMPONENTS



NEEDLE DRIVING SHAFT COMPONENTS

Reference Nos.	Part Number	Description	Quantity
1	C131-10556	Feed Forked Crank Assembly	1
2	C131-10507	Needle Driving Branch Crank	(1)
3	SM-6061402-TP	Screw	(1)
4	C131-10606	Needle Driving Shaft	1
5	C122-80301	Bushing, Rear	1
6	C252012SCS	Screw	1
7	C3302	Needle Drive Arm	1
8	C044004SSS	Set Screw	1
9	C3310	Needle Drive Link Pin	1
10	C3334	Link Pin	2
12	C3332	Needle Driving Link Left	1
13	C3313	Needle Holder Bushing Left	1
14	C3333	Needle Driving Link Right	1
15	C131-10002	Bushing, Rear	1
16	C3319	Needle Holder	2
17	RO-1082401-00	Rubber Ring	1
18	C132-07709	Needle Rod Bushing Lower	1
19	A3360	Heavy Duty Needle Holder	1
20	C044002SSS	Screw	1
21	C123-78808	Needle Clamp Right	1
22	C123-4309	Needle Clamp Holder	1
23	CSS-6080720-SP	Screw	1
24	C123-04408	Needle Thread Presser Guide A	1
25	CSS-80803110-TP	Screw	1
26	C131-10903	Needle Thread Presser Spring	1
27	C123-04507	Needle Thread Presser Plate	1
28	135 x 7/22	Needle (available in 20, 21, or 22)	2
29	CSM-4040855-SP	Screw	1
30	C132-08707	Needle Thread Guide Base	1
31	C123-86603	Thread Guide Chain Looper	1
32	CSM-4040855-SP	Screw	2
33	CSS-4110515-SP	Screw	1
34	C123-79004	Needle Clamp Left	1
35	CSS-8110710-SP	Screw	1
36	C123-72207	Thread Take up Lever	1
37	CSS-6090670-TP	Screw	2
40	C123-72405	Chain Loop	1
41	CSM-4040855-SP	Screw	1
42	C132-08459	Once Through Oil Pipe Assembly	1
43	C132-08509	Once Through Oil Cover	(1)
44	CCQ-200000-00	Oil Wick	(.8)
45	C236-30007	Tube	(.39)
46	C132-44009	Once Through Oil Pipe Bushing	(1)
47	C132-08608	Once Through Oil Felt	(1)
48	C131-42609	Pipe Clamp	(1)
49	C131-22007	Feed Branch Crank Pin A	1
54	C131-72754	Thrust Collar Assembly	2
55	C131-72705	Thrust Collar	(1)
56	CSS-8660610	Screw	(2)
59	CSS-8090530-TP	Screw	1
61	CSD-0280401-SL	Hinge Screw	1
62	C103204SSS	Screw	1
63	C122-80608	Needle Clamp Holder	1

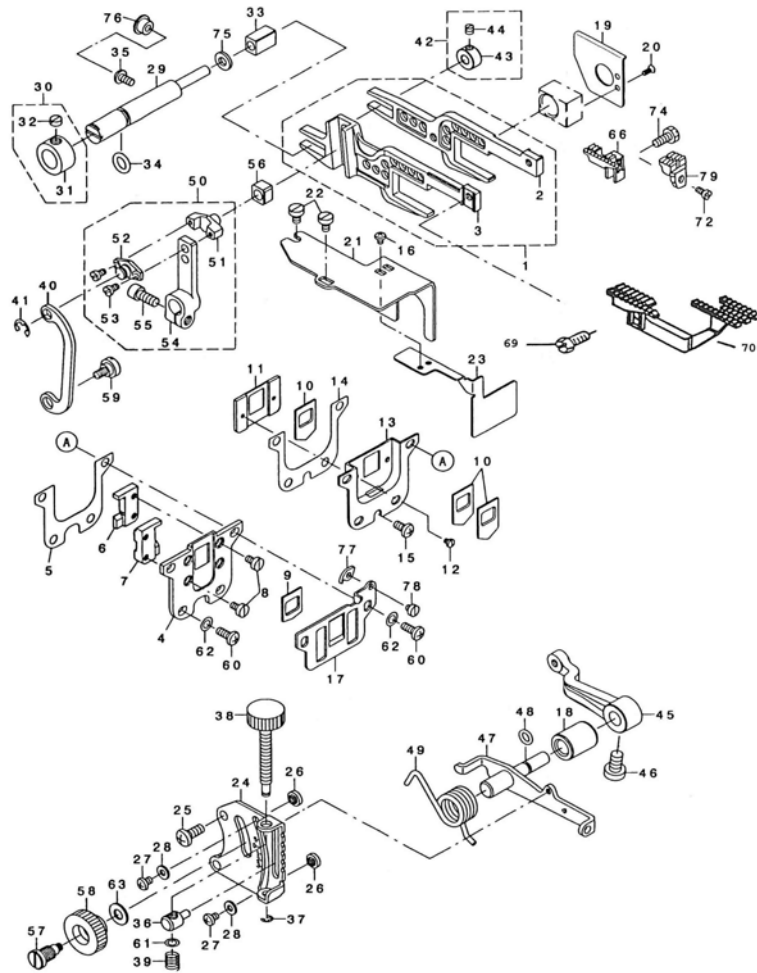
FEED MECHANISM COMPONENTS (1)



FEED MECHANISM COMPONENTS (1)

Reference Nos.	Part Number	Description	Quantity
1	C121-16174	Feed Eccentric Body Assembly	1
2	C121-18808	Ratchet Gear	(1)
3	CSS-8110750-SP	Screw	(1)
4	CSS-6110710-TP	Screw	(1)
5	CSD-0260271-SP	Hinge Screw	(1)
6	CB1604-704-000	Ratchet Pawl	(1)
7	CPS-0300132-KH	Spring Pin	(2)
8	C121-16117	Feed Eccentric Body	(1)
9	CSS-7110810	Screw	(2)
10	C121-16307	Feed Cam Block	(1)
11	C121-16216	Feed Cam	(1)
12	C121-16406	Feed Adjusting Cam	(1)
13	C131-22502	Ratchet Pawl Spring	1
14	C131-19300	Ratchet Gear Spring	1
15	CSS-6080320-SP	Screw	1
16	C131-18708	Feed Crank Rod	1
17	CSS-7110910-TP	Screw	1
18	C121-16604	Needle Bearing	1
23	C131-19409	Feed Shaft Metal, Front	1
24	C131-19508	Feed Shaft Metal, Rear	1
25	C131-19607	Feed Shaft	1
26	C132-16809	Push Button Shaft	1
27	CSM-4041455-SN	Screw	1
28	C132-16601	Push Button Spring	1
29	C132-16700	Push Button Shaft Washer	1
30	C132-44108	Rubber Ring	1
32	C131-19953	Main Feed Arm Assembly	1
33	C131-19904	Main Feed Arm	(1)
34	CSM-6051202-TP	Screw	(1)
35	C131-22007	Crank Pin A	1
36	C131-22106	Crank Pin B	1
37	C131-22205	Crank Pin C	1
38	C131-22304	Crank Pin D	1
39	C131-19706	Main Feed Arm Pin	1
40	CNS-6620320-SP	Nut	1
41	C131-20001	Washer B	1
42	C131-19805	Main Feed Link	1
43	CB1620-804-000	Pin Collar	1
44	C131-20605	Washer	1
45	CSS-6121220-TP	Screw	1
46	C132-17807	Slide Block A	1
47	C121-19210	Forked Crank	1
48	CSM-6061402-TP	Screw	1
49	CTA-1030402-RO	Rubber Plug	1
50	CTA-2050416-RO	Rubber Plug	1
51	C131-72556	Feed Shaft Thrust Collar Assembly	2
52	C131-72507	Feed Shaft Thrust Collar	(1)
53	CSS-8110410-TP	Screw	(2)

FEED MECHANISM COMPONENTS (2)

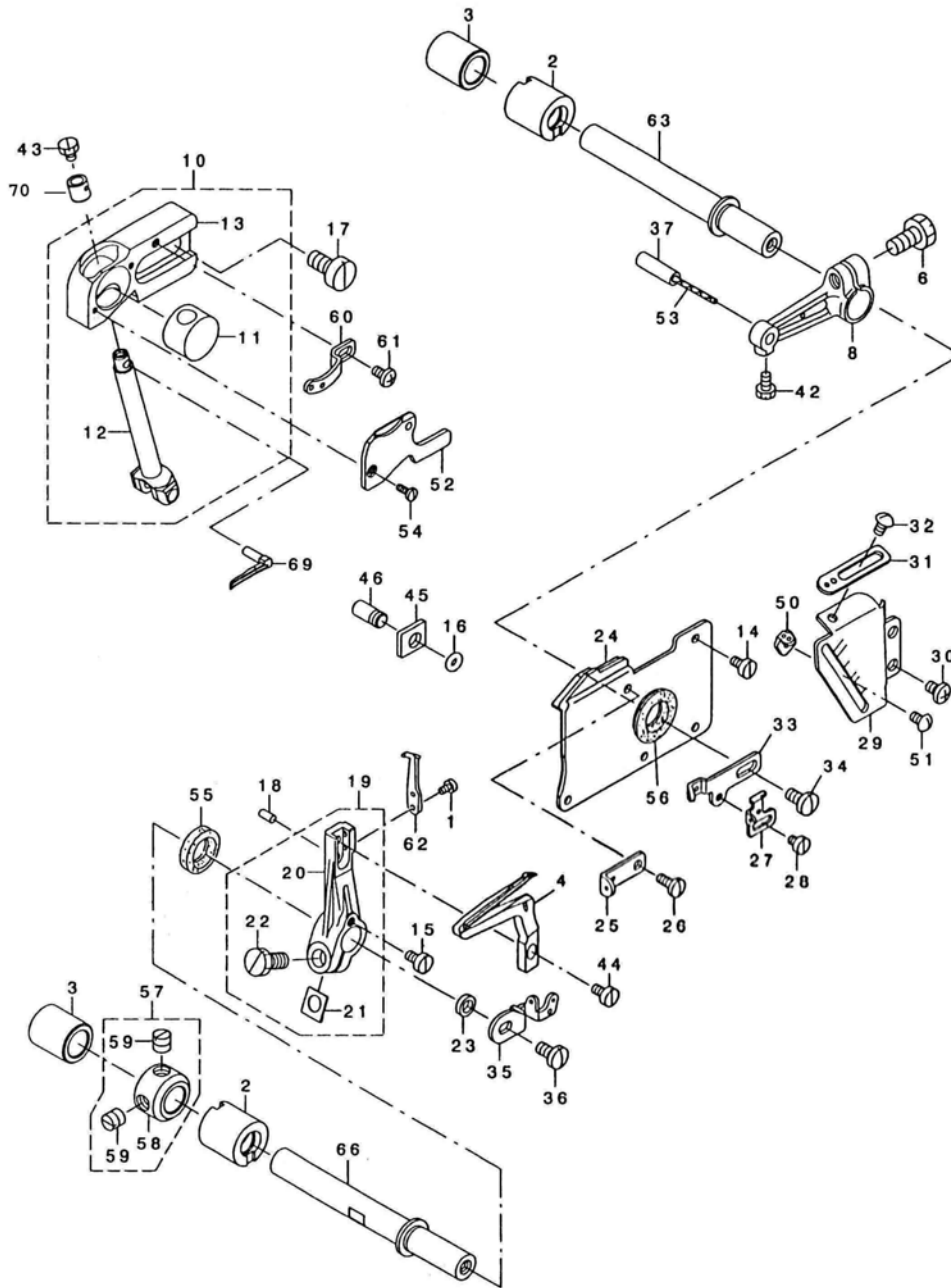


Reference Nos.	Part Number	Description	Quantity
1	C132-15157	Feed Rocker Assembly	1
2	C132-15108	Main Feed Bar	(1)
3	C132-15207	Differential Feed Bar	(1)
4	C132-15306	Rubber Case	1
5	C132-15405	Rubber Case Gasket	1
6	C132-15504	Feed Bar Support Right	1
7	C132-15603	Feed Bar Support Left	1
8	CSS-6090620-TP	Screw	4
9	C121-18303	Dust-Proof Rubber	1
10	C121-18204	Oil Shield Rubber	3
11	C132-15702	Rubber Holding Plate	1
12	CSS-7060310-SP	Screw	2
13	C132-15900	Oil Shield Case	1
14	C132-16007	Oil Shield Case Gasket	1
15	CSM-4040855	Screw	1
16	CSM-4030455-SP	Screw	2
17	C132-17104	Throat Plate Support	1
18	C131-22700	Adjusting Shaft Metal	1
19	C132-16106	Oil Shield Plate	1
20	CSS-1060610-SP	Screw	2

FEED MECHANISM COMPONENTS (2)

Reference Nos.	Part Number	Description	Quantity
21	C132-16205	Feed Cam Oil Shield Plate	1
22	CSM-6040600-SP	Screw	2
23	C132-16304	Oil Shield Plate	1
24	C131-22809	Differmetal Feed Graduation	1
25	CSM-4051255-SP	Screw	2
26	C131-21405	Adjusting Stopper	2
27	CSS-4090515-SP	Screw	2
28	CWP-0371016-SD	Washer	2
29	C131-20902	Support Shaft	1
30	C131-21058	Thrust Collar Assembly	1
31	C131-21009	Thrust Collar Assembly	(1)
32	CSS-8660330-SP	Screw	(1)
33	C131-20803	Slide Block	1
34	C131-70204	Rubber Ring	1
35	CSM-4040855-SP	Screw	1
36	C132-17708	Differential Feed Block	1
37	CRE-0300000-KO	E Ring 3	1
38	C132-13012	Adjusting Screw	1
39	C131-23302	Differential Feed Screw Spring	1
40	C131-21306	Adjusting Link	1
41	CRE-0500000-KO	E Ring 5	1
42	C131-21256	Support Shaft Collar Assembly	1
43	C131-21207	Support Shaft Collar	(1)
44	CSS-8110410	Screw	(1)
45	C131-21900	Differential Feed Rocker	1
46	CSS-6661110	Screw	1
47	C132-17351	Rocker Shaft Assembly	1
48	C131-70501	Rubber Ring	1
49	C131-21603	Adjusting Lever Spring	1
50	C132-18052	Differential Feed Arm Assembly	1
51	C118-25304	Differential Feed Pin	(1)
52	C118-26401	Differential Feed Pin Cover	(1)
53	CSS-6080410-SP	Screw	(2)
54	C132-18003	Differential Feed Arm	(1)
55	CSM-6051202-TP	Screw	(1)
56	C132-18102	Slide Block	1
57	C132-17401	Differential Feed Hinge Screw	1
58	C132-17500	Differential Feed Locknut	1
59	CSD-0720271-SP	Hinge Screw	1
60	CSM-4041055	Screw	4
61	CWP-0460556-SD	Washer	1
62	CWP-0480856-SP	Washer	4
63	CWP-0621016	Washer	1
66	C123-82503	Main Feed Dog	1
69	SS7112420-SP	Screw	1
70	A18060	Differential Feed Dog	1
72	CSS-4080620-TP	Screw	1
73	CSS-9111010-SP	Screw	1
74	CSS-9111050-SP	Screw	1
75	C131-21108	Washer	1
76	CTA-0800504-RO	Plug	1
77	C132-00902	Feed Mechanism Cover Presser	1
78	CSS-6080340-SP	Screw	1
79	C115-28502	Auxiliary Feed Dog	1

UPPER AND LOWER LOOPER COMPONENTS

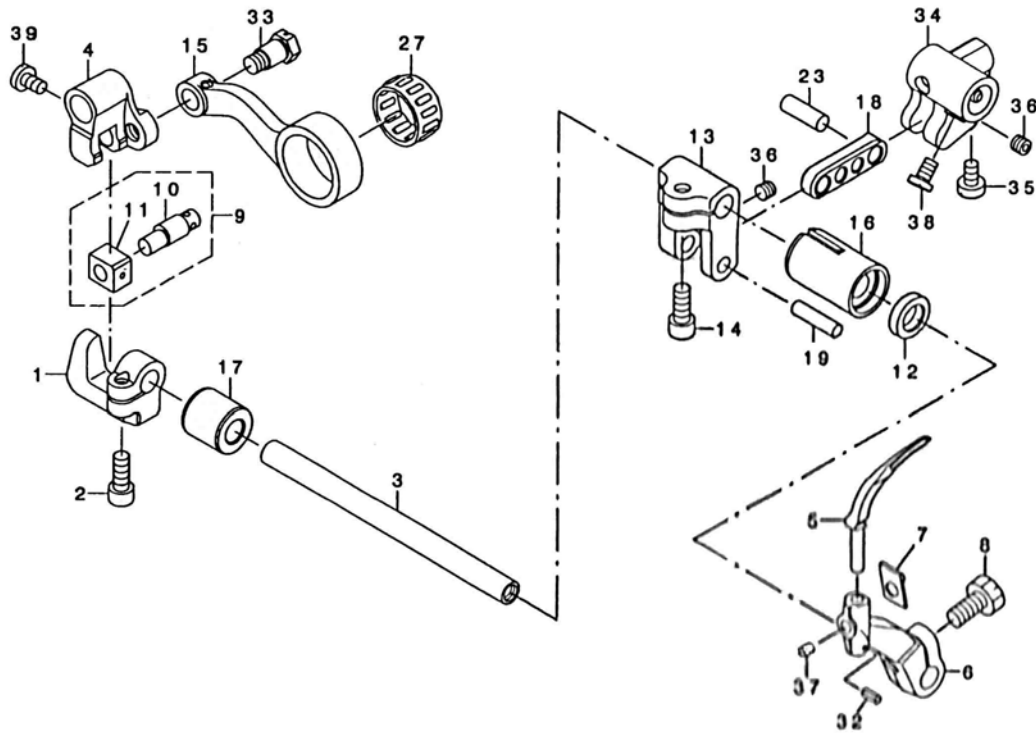


Reference Nos.	Part Number	Description	Quantity
1	CSS-6060440-TP	Screw	2
2	C121-22511	Looper Shaft Front Bushing	2
3	C132-22708	Looper Shaft Rear Bushing	2
4	C123-84202	Lower Looper	1
6	CSS-9151210-TP	Screw	1
8	C132-21304	Upper Looper Arm	1
10	C132-23656	Upper Support Assembly	1
11	C132-22005	Upper Looper Guide	(1)
12	C132-23805	Upper Looper Holder B	(1)
13	C132-23904	Upper Looper Guide Support	(1)

UPPER AND LOWER LOOPER COMPONENTS

Reference Nos.	Part Number	Description	Quantity
14	CSS-6090630-TP	Screw	4
15	CSS-6090630-TP	Screw	1
16	C131-70600	Rubber Ring	1
17	CSM-6061200-SP	Screw	2
18	CPS-0300062-KH	Spring Pin	1
19	C131-32550	Lower Looper Support Arm Assembly	1
20	C131-32501	Lower Looper Support Arm	(1)
21	C131-29309	Washer	(1)
22	CSS-9151210-TP	Screw	(1)
23	C131-32600	Collar	1
24	C123-75952	Oil Shield Assembly	1
25	C123-40600	Upper Looper Thread Guide	1
26	CSS-7090850-Sp	Screw	1
27	C123-740709	Lower Looper Thread Take Up	1
28	CSS-6080410-SP	Screw	1
29	C132-22401	Looper Thread Take Up Cover	1
30	CSM-4040655-SP	Screw	2
31	C123-40303	Thread Guide, Right	1
32	CSS-3090610-SP	Screw	1
33	C123-40402	Thread Take Up Right	1
34	CSS-7110840-SP	Screw	1
35	C123-75705	Looper Thread Take Up, Left	1
36	CSS-7110840-SP	Screw	1
37	B1422-804-A00	Pin A	1
42	CSS-9090610-TP	Screw	1
43	CSS-9090410-TP	Screw	1
44	CSS-6090620-TP	Screw	1
45	C115-45100	Gauge	1
46	C131-31800	Gauge Fixing Pin	1
47	C131-72853	Thrust Collar Assembly	1
48	C131-72804	Thrust Collar	(1)
49	CSS-8660610-TP	Screw	(2)
50	C123-40808	Thread Guide	1
51	CSS-3090610-SP	Screw	1
52	C132-24001	Upper Looper Guide Cover	1
53	CCQ-2020000-00	Oil Wick	.05
54	CSS-7060610-Sp	Screw	2
55	CB2508-704-000	Oil Seal	1
56	CB2530-704-000	Upper Looper Shaft Rubber Ring	1
57	C131-72853	Thrust Collar Assembly	1
58	C131-72804	Thrust Collar	(1)
59	CSS-8660610-TP	Screw	(2)
60	C123-40501	Thread Guide Upper	1
61	CSS-4090615-SP	Screw	1
62	C118-90001	Traveling Needle Guard	1
63	C132-21403	Upper Looper Shaft A	1
69	C123-83501	Upper Looper	1
70	APT251634	Looper Collar	1

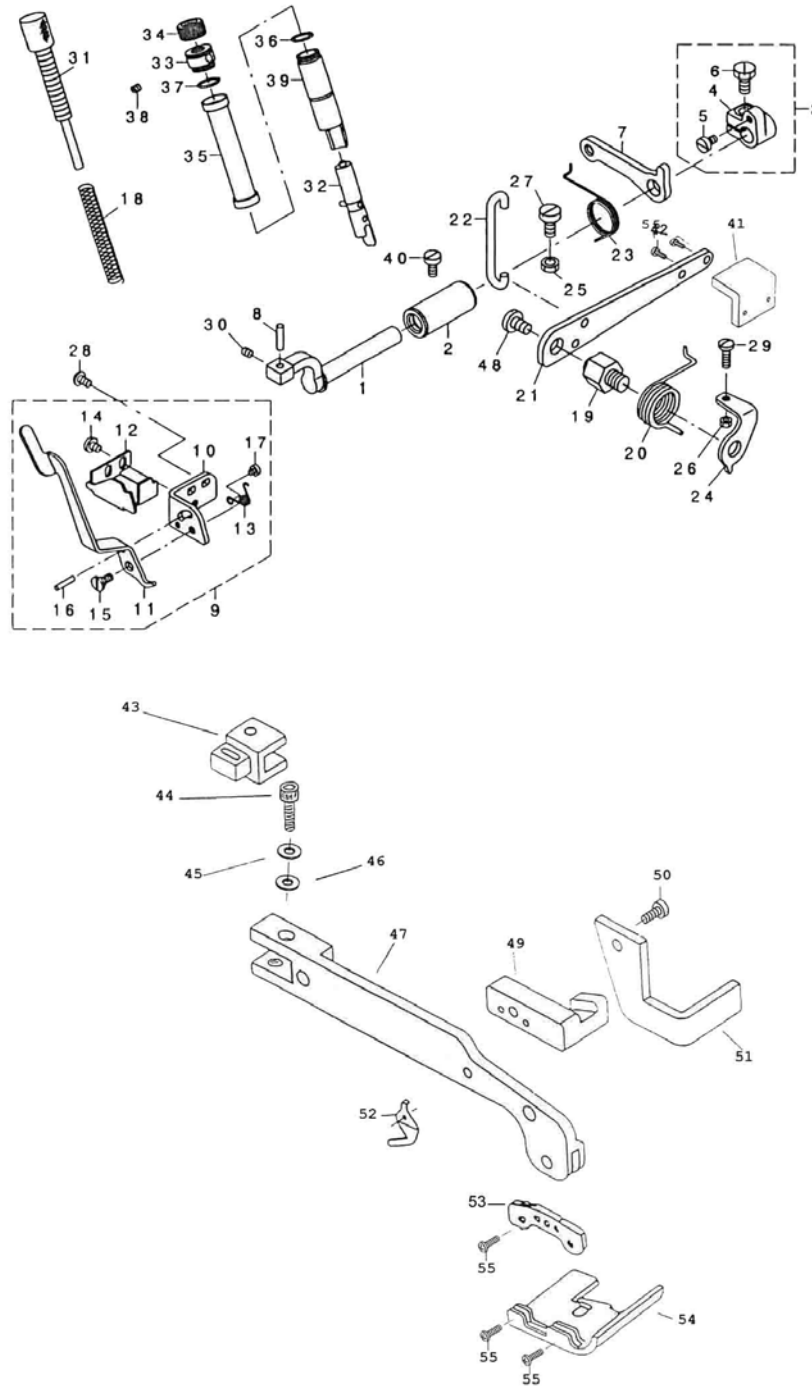
CHAIN LOOPER COMPONENTS



CHAIN LOOPER COMPONENTS

Reference Nos.	Part Number	Description	Quantity
1	C121-20416	Bracket	1
2	CSM-6051202-TP	Screw	1
3	C131-26909	Chain Looper Shaft	1
4	C131-26008	Front and Rear Arm	1
5	C123-84400	Chain Looper	1
6	A118-29314	Chain Looper Driving Arm	1
7	CB2531-704-000	Washer	1
8	CSS-9151210-TP	Screw	1
9	C131-26354	Slide Block Pin Assembly	1
10	C131-26206	Chain Looper Slide Block Pin	(1)
11	C131-26305	Chain Looper Slide Block	(1)
12	CB2525-352-000	Oil Seal Ring	1
13	C123-74104	Driving Arm	1
14	CSM-6051202-TP	Screw	1
15	C132-20009	Chain Looper Rod	1
16	C131-28103	Bushing, Front	1
17	C131-27006	Bushing, Rear	1
18	C123-74203	Driving Link	1
19	C131-26503	Pin, Long A	1
23	C131-27204	Pin, Short A	1
27	CB2119-816-A00	Bearing A	1
32	CPS-0200062-KH	Spring Pin	1
33	CSD-0720803-TH	Step Screw	1
34	C132-201108	Driving Ball Arm Bracket	1
35	CSM-8050602-TP	Screw	1
36	CSM-8050402-TP	Screw	2
37	CSS-8110422-TP	Screw	1
38	CSS-6110710-TP	Screw	2
39	CSS-7110720-TP	Screw	1

PRESSER FOOT COMPONENTS

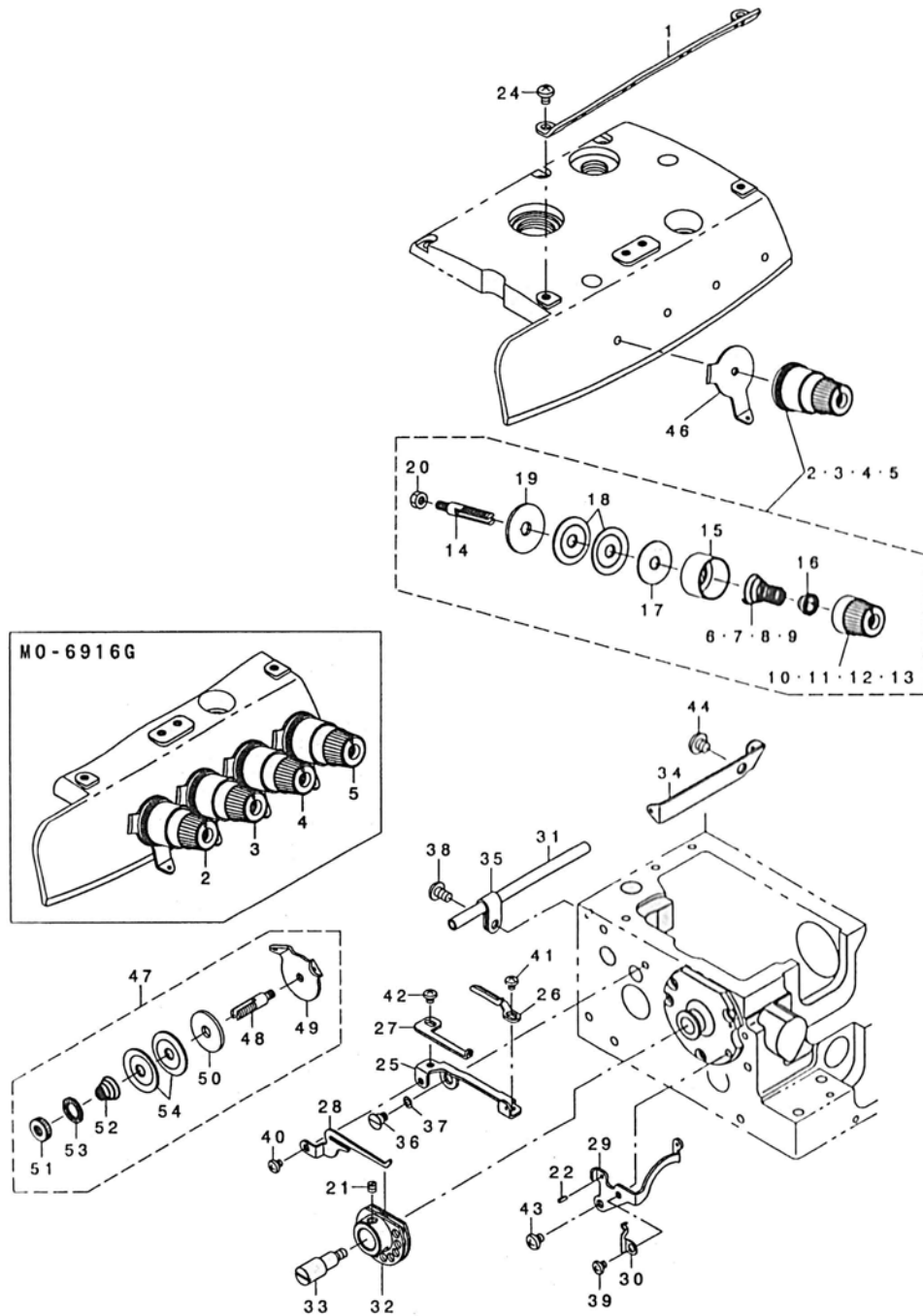


Reference Nos.	Part Number	Description	Quantity
1	C121-13205	Presser Foot Shaft	1
2	C131-15100	Presser Foot Shaft Bushing	1
3	C131-15258	Thrust Arm Assembly	1
4	C131-15209	Thrust Arm	(1)
5	CSS-6110710-TP	Screw	(1)
6	CSS-9151210-TP	Screw	(1)
7	C131-16801	Lifting Arm	1
8	CB1534-804-000	Presser Foot Arm Hinge Shaft	1
9	C131-15753	Presser Lifting Lever Base Assembly	1
10	C131-15803	Presser Lifting Lever Base	(1)

PRESSER FOOT COMPONENTS

Reference Nos.	Part Number	Description	Quantity
11	C131-15902	Presser Lifting Lever	(1)
12	C131-16009	Presser Arm Stopper	(1)
13	C131-16108	Presser Foot Lifting Spring	(1)
14	CSS-7110510-SP	Screw	(2)
15	CSD-0640241-SP	Hinge Screw	(1)
16	CPS-0300142-KH	Spring Pin	(1)
17	CSS-6080340-SP	Screw	(1)
18	C131-16207	Presser Foot Spring	1
19	C131-17007	Presser Lifting Lever Screw	1
20	C131-16306	Presser Lifting Lever Spring	1
21	C131-16900	Presser Lifting Lever	1
22	C131-16405	Presser Lifting Hook	1
23	C131-16504	Lifting Lever Arm Spring	1
24	C131-16603	Presser Lifting Lever Spring	1
25	CNM-6060003-SC	Nut	1
26	CNS-6110420-SP	Nut	1
27	CSM-6061200-SP	Screw	1
28	CSS-4110715-SP	Screw	2
29	CSS-7111410-TP	Screw	1
30	CSS-8110520-TP	Screw	1
31	C132-12600	Presser Regulator Screw	1
32	C121-14468	Presser Bar Assembly	1
33	C122-88700	Presser Regulator Screw Washer	1
34	C131-17106	Presser Regulator Nut	1
35	C132-12709	Presser Bar Cover	1
36	C131-70402	Rubber Ring	2
37	C131-70402	Rubber Ring	1
38	CSM-8040402-tp	Screw	1
39	C132-13301	Presser Bar Bushing	1
40	CSS-6121020-SP	Screw	
41	C3326	Presser Foot Push Pad	1
42	C102406SCS	Screw	2
43	PT151606 REV D	Link Presser Foot Arm	1
44	C1032012SCS	Screw	1
45	C10LKW	Lock Washer	1
46	C10STW	Washer	1
47	PT151616HD REV K	Presser Foot Arm	1
48	CSS-7161040-SP	Screw	1
49	C3312	Presser Foot Arm Latch	1
50	C083206 FHSC	Screw	1
51	C3316	Presser Foot Anti Lift Angle	1
52	B1528-804-000-A	Thread Trimmer	1
53	C115-21507	Presser Foot Hinge	1
54	C3335	Presser Foot	1
55	C115-22703	Screw	3

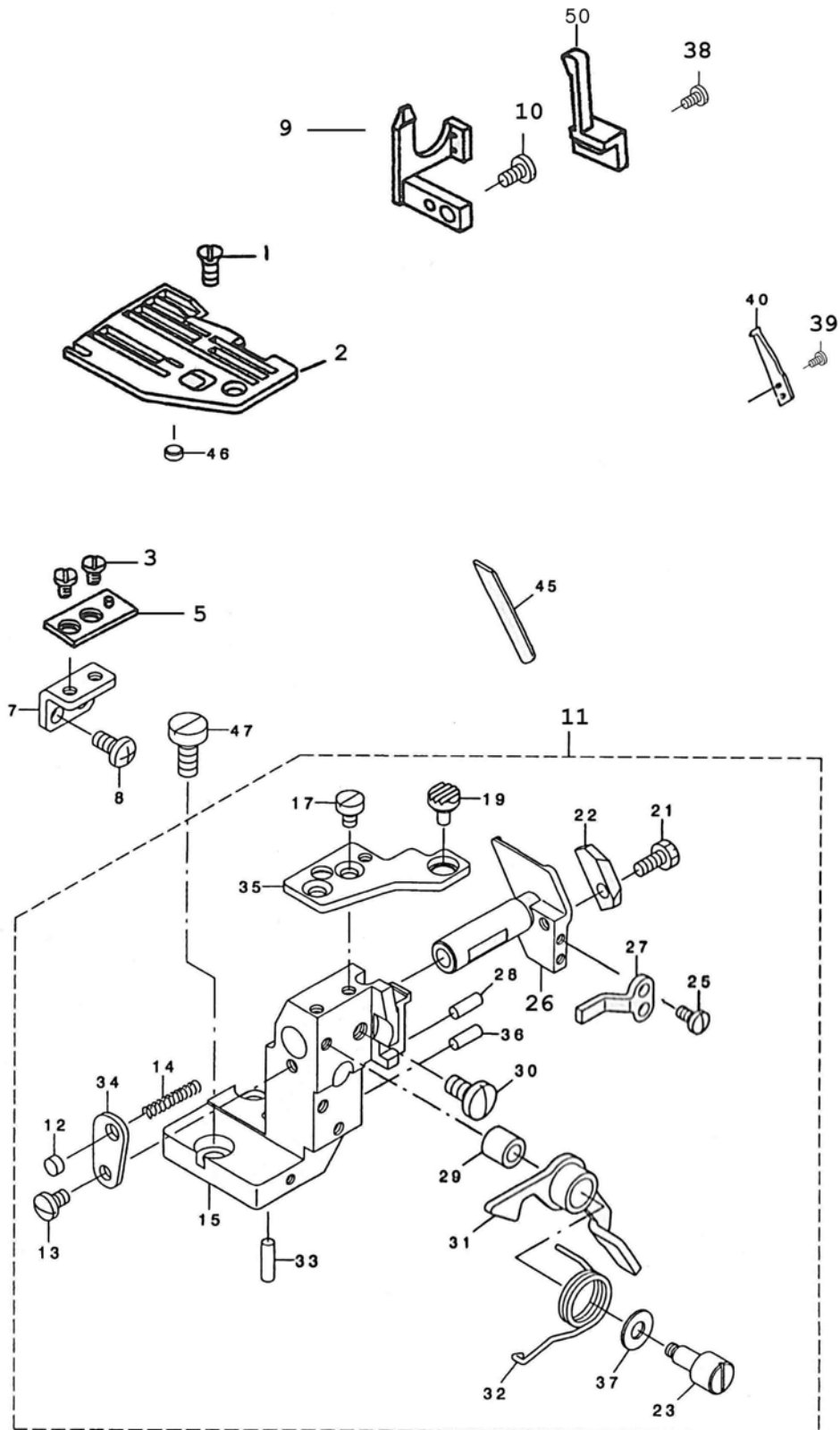
THREAD TENSION COMPONENTS



THREAD TENSION COMPONENTS

Reference Nos.	Part Number	Description	Quantity
1	C132-25008	Center Thread Guide	1
2	C131-37559	Thread Tension Spring Complete	2
3	C131-38359	Thread Tension Spring Complete	2
4	C131-40652	Thread Tension Spring Complete	1
5	C131-40355	Thread Tension Spring Complete	1
6	C131-38508	Thread Tension Spring (Yellow)	(1)
7	C131-37807	Thread Tension Spring (Red)	(1)
8	C131-40504	Thread Tension Spring (Green)	(1)
9	C131-40207	Thread Tension Spring (Purple)	(1)
10	C131-37708	Thread Tension Knob (Red)	(1)
11	C131-38409	Thread Tension Knob (Yellow)	(1)
12	C131-40405	Thread Tension Knob (Green)	(1)
13	C131-40108	Thread Tension Knob (Purple)	(1)
14	C131-38904	Thread Tension Bar	(1)
15	C131-37609	Thread Tension Disk Presser	(1)
16	C131-37906	Spring Bushing	(1)
17	C131-38102	Thread Tension Spring Felt	(1)
18	C131-38201	Thread Tension Disk	(2)
19	C131-38003	Thread Tension Rubber Washer	(1)
20	CNS-6110420-SP	Nut	(1)
21	CSS-8110410-TP	Screw	2
22	CPS-0200052-KH	Spring Pin	1
24	CSS-4110615-SP	Screw	2
25	C131-28202	Thread Cam Thread Guide Base	1
26	C131-28301	Thread Cam Thread Guide A	1
27	C131-28400	Thread Cam Thread Guide Base	1
28	C131-28509	Lower Thread Cam Hook	1
29	C131-28608	Lower Thread Guide	1
30	C131-28707	Thread Guide Base Spring	1
31	CB2401-816-000	Looper Thread Guide Tube	1
32	C131-29457	Lower Thread Cam Complete	1
33	C131-30000	Lower Thread Cam Shaft	1
34	C131-29101	Lower Thread Conduit Huide	1
35	CB3113-352-000	Mounting Bracket	1
36	CSD-0600341-TP	Hinge Screw	1
37	CWZ-0640312-KO	Waved Washer	1
38	CSM-4050855-SP	Screw	1
39	CSS-4090415-SP	Screw	1
40	CSS-4090415-SP	Screw	1
41	CSS-4090415-SP	Screw	1
42	CSS-4090415-SP	Screw	1
43	CSS-4110515-SP	Screw	1
44	CSS-5150510-SP	Screw	1
46	C132-25107	Tension Disk Thread Guide	4
47	C131-39555	Thread Tension Post Complete	1
48	C131-40009	Thread Tension Post Complete	(1)
49	C131-39605	Tension Disk Thread Guide	(1)
50	C131-39902	Thread Tension Spring Felt	(1)
51	C131-39803	Thread Tension Nut	(1)
52	C131-39704	Thread Tension Spring	(1)
53	C229-21407	Rotation Stopper	(1)
54	C131-38201	Thread Tension Disk	(2)

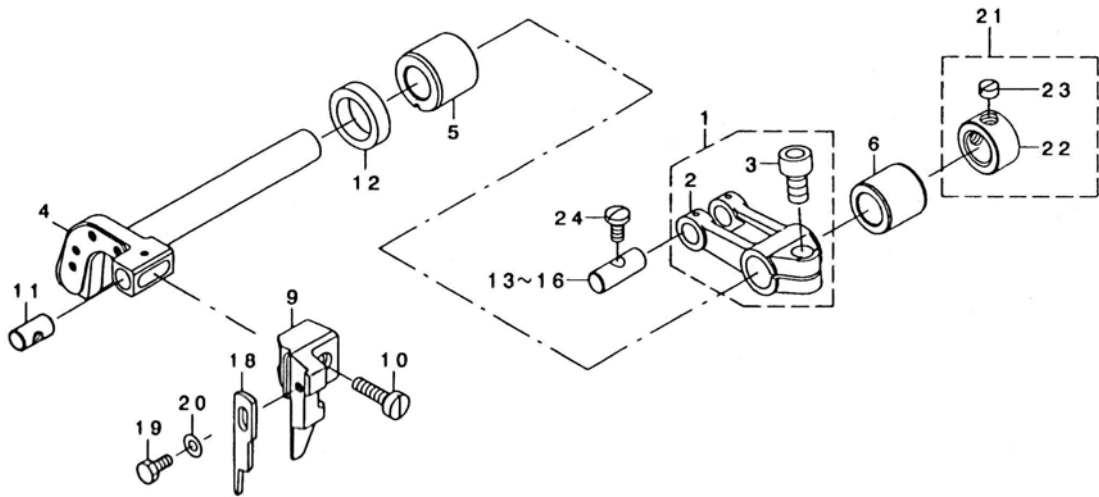
LOWER KNIFE COMPONENTS



LOWER KNIFE COMPONENTS

Reference Nos.	Part Number	Description	Quantity
1	CSS-2110710-SL	Screw	1
2	C18040N	Throat Plate	1
3	CSS-6110610-TP	Screw	2
5	APT251615	Throat Plate Base	1
7	C123-78303	Throat Plate Base B Retainer	1
8	CSM-4051055-SP	Screw	2
9	CPT251604	Needle Guard	1
10	CSS-7110840-SP	Screw	1
11	C123-77586	Lower Knife Bracket Assembly	1
12	C118-06304	Plug	(1)
13	CSS-7110720-SP	Screw	(1)
14	C118-46607	Spring	(1)
15	C121-32619	Lower Knife Bracket	(1)
17	CSS-6110610-TP	Screw	(2)
19	C121-03602	Rubber Plug A	(1)
21	CSS-9111010-SP	Screw	(1)
22	C123-77602	Lower Knife Presser	(1)
23	C123-78204	Lower Shaft	(1)
25	CSS-7090710-SP	Screw	(2)
26	C123-77800	Lower Knife Slide Shaft	(1)
27	C123-77909	Rotating Stopper	(1)
28	C118-46805	Holder Pin	(1)
29	C121-03107	Rubber Plug	(1)
30	CSS-7151120-SP	Screw	(1)
31	C121-02950	Lever Assembly	(1)
32	C123-78006	Spring	(1)
33	C121-33708	Holder Pin	(1)
34	C121-33211	Spring Stopper	(1)
35	C123-78105	Throat Plate Base A	(1)
36	C121-33708	Holder Pin	(1)
37	CWP-0621036-SP	Washer	(1)
38	CSS7060510-SP	Screw	2
39	C025604BHS	Screw	2
40	C118-90605	Needle Holder	1
45	C115-66502	Lower Knife	1
47	CSS-6151440-SP	Screw	2
50	C3311	Needle Guard Front	1

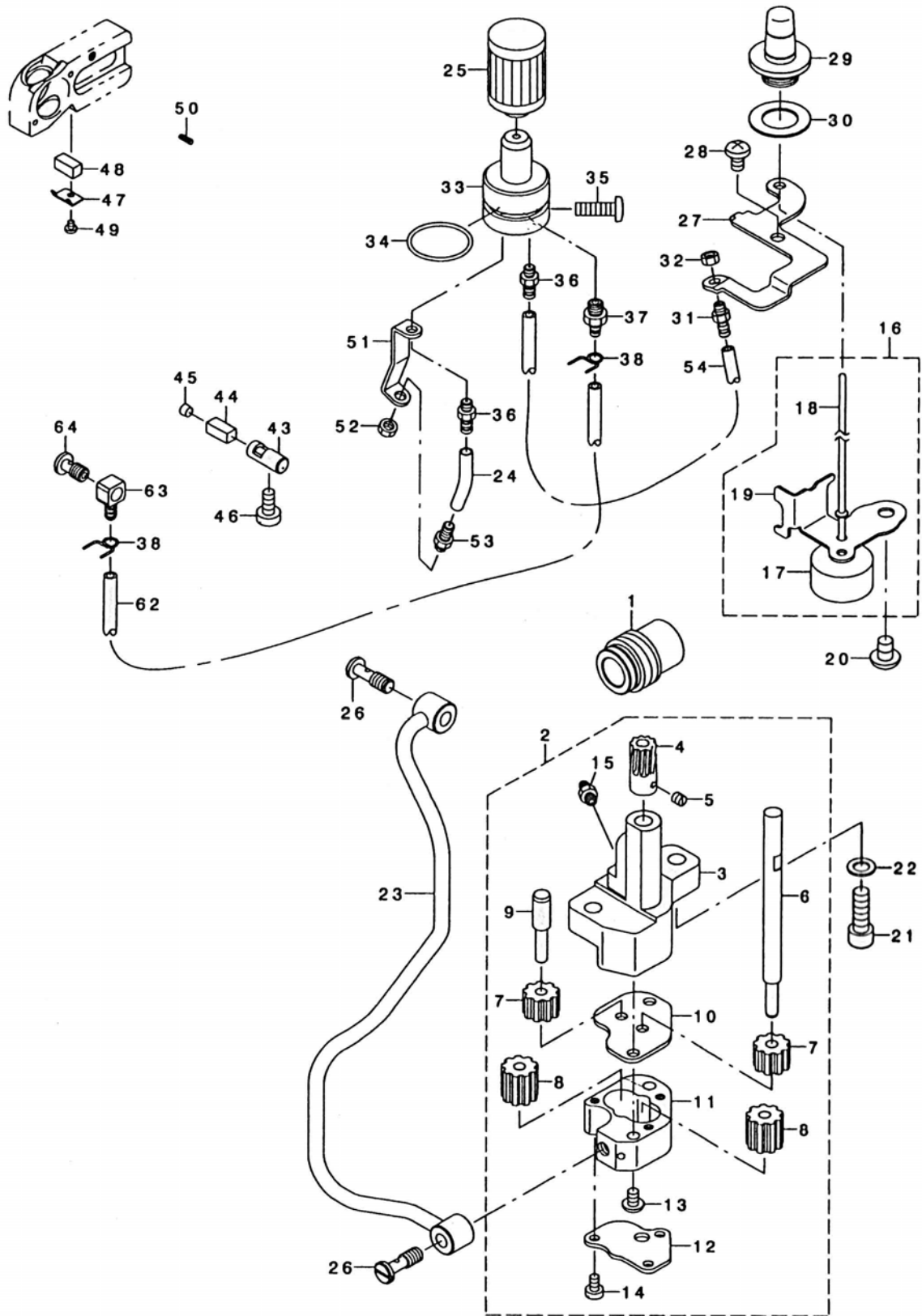
Upper Knife Components



Upper Knife Components

Reference Nos.	Part Number	Description	Quantity
1	C131-47558	Feed Forked Arm Assembly	1
2	C131-47509	Feed Forked Arm Assembly	(1)
3	CSM-6061402-TP	Screw	(1)
4	C131-51303	Knife Driving Arm Shaft	1
5	C131-50909	Bushing Front	1
6	C131-51006	Bushing Rear	1
9	C120-04800	Upper Knife Support	1
10	CSS-6111610-SP	Screw	1
11	C131-50800	Upper Knife Guide Shaft	1
12	C115-66809	Oil Seal	1
13	C131-22007	Crank Pin A	1
18	C120-04909	Knife	1
19	CSS-9090823-TP	Screw	1
20	CWP-0370316-SD	Washer	1
21	C131-72655	Thrust Collar Assembly	1
22	C131-72606	Thrust Collar	(1)
23	CSS-86603330-SP	Screw	(2)
24	CSS-7110840-SP	Screw	1

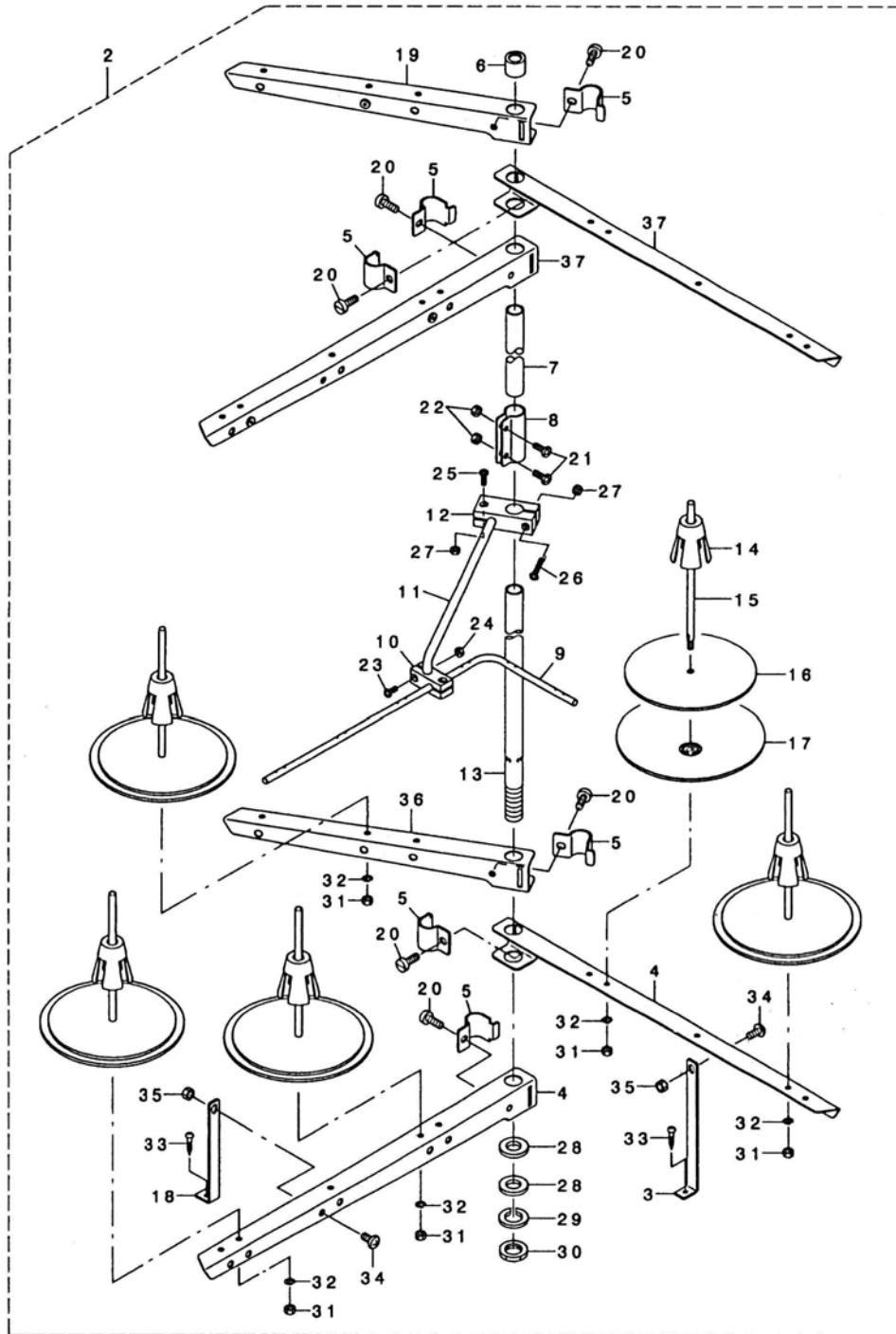
LUBRICATION MECHANISM COMPONENTS



LUBRICATION MECHANISM COMPONENTS

Reference Nos.	Part Number	Description	Quantity
1	C132-30305	Worm	1
2	C123-15958	Oil Pump Assembly	1
3	C123-15909	Oil Pump	(1)
4	C122-56103	Worm Gear	(1)
5	CSS-8110410-TP	Screw	(2)
6	C119-18109	Gear Pump Shaft Large	(1)
7	CB3534-352-000	Pinion Gear	(2)
8	C118-40303	Oil Pump Pinion	(2)
9	C123-17004	Gear Pump Shaft	(1)
10	C123-16006	Pinion Spacer	(1)
11	C123-16105	Casing	(1)
12	C123-16204	Cover	(1)
13	CSS-4112215-SP	Screw	(2)
14	CSS-6090650-SP	Screw	(3)
15	CSQ-1110401-MZ	Connecting Screw	(1)
16	C132-29356	Float Assembly	1
17	C121-29805	Float Assembly	(1)
18	C121-29904	Oil Gage Bar	(1)
19	C132-29307	Float Support	(1)
20	CSM-4060801-SE	Screw	1
21	CSM-6061802-TP	Screw	2
22	CWP-0651056-SD	Washer	2
23	C132-28655	Lubrication Mechanism Pipe Assembly	1
24	CBP-3000001-OR	Vinyl Pipe	.03
25	C118-43208	Cartridge Filter	1
26	CSQ-1150454-SD	Connecting Screw	2
27	C131-43805	Exhaust Port Support	1
28	CSM-4050855	Screw	1
29	C131-43300	Oil Gage	1
30	C131-44001	Oil Gauge Gasket	1
31	CSQ-1110451-MZ	Connecting Screw	1
32	CNS-6110310-SP	Nut	1
33	C131-42955	Filter Guide Assembly	1
34	C131-70808	Rubber Ring	1
35	CSM-4051601-SC	Screw	1
36	CSQ-1110451-MZ	Connecting Screw	2
37	CSQ-1150451-MZ	Connecting Screw	1
38	C131-42609	Oil Tube Holder	3
43	C131-43417	Oiling Pin	1
44	C121-30605	Oil Felt	1
45	C132-30107	Oil Plug	1
46	CSS-6121020	Screw	1
47	C132-30008	Oil Felt Presser	1
48	C121-30803	Oil Felt	1
49	CSS-7060310-SP	Screw	1
50	CCQ-2020000-00	Oil Wick	.06
51	C132-29208	Worm Exhaust Port Guide	1
52	CNS-6110310-SP	Nut	1
53	CSQ-1110451-MZ	Connecting Screw	1
54	C236-30007	Tube	.17
62	CBP-3000001-OR	Vinyl Pipe	.29
63	CSQ-0000451-MZ	Connecting Screw	1
64	CSQ-1150441-SD	Connecting Screw	1

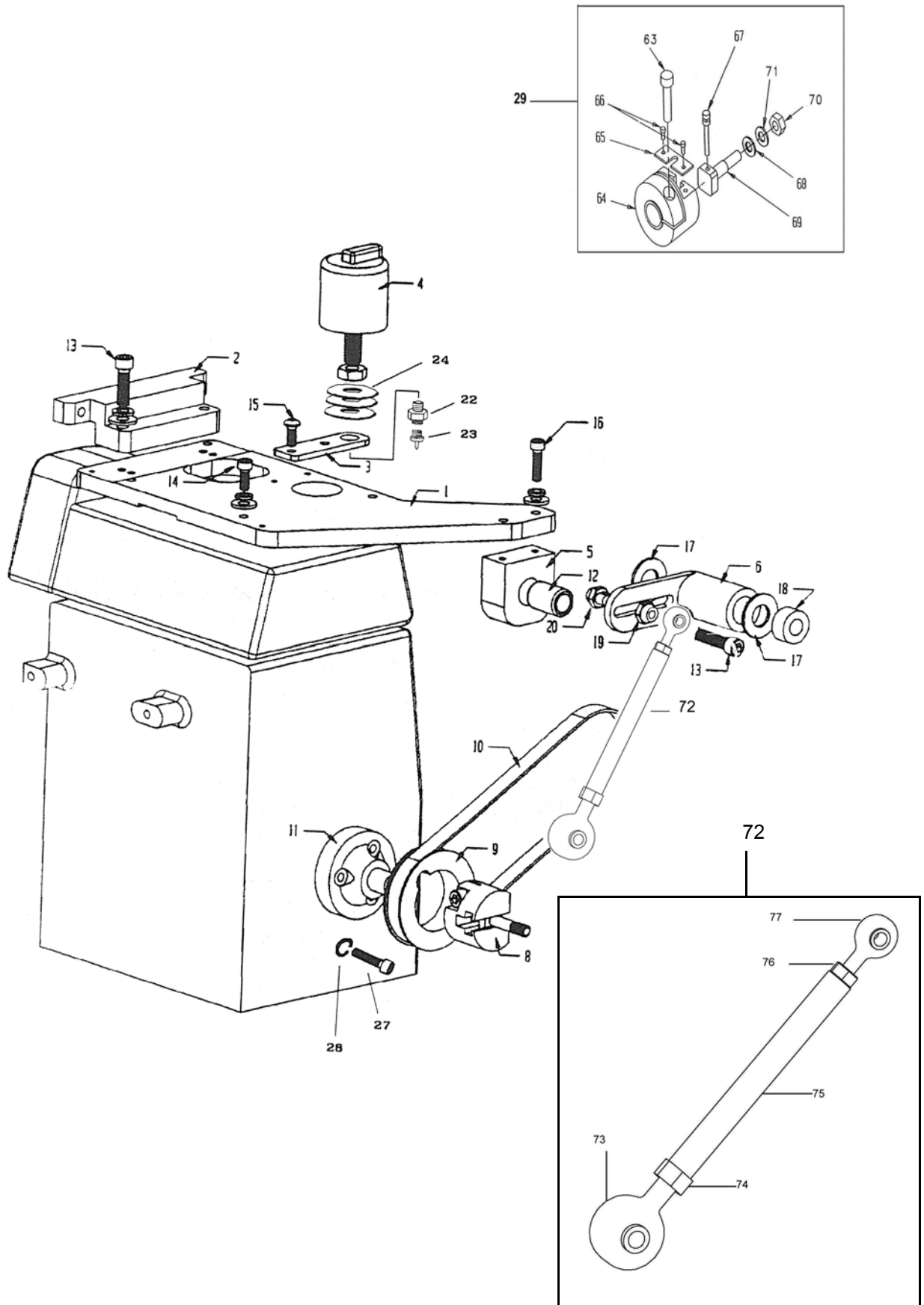
THREAD STAND COMPONENTS



THREAD STAND COMPONENTS

Reference Nos.	Part Number	Description	Quantity
2	C131-68752	Thread Standing Device Assembly	1
3	C131-68505	Thread Standing Arm Support B	(1)
4	C131-68802	Thread Standing Arm Long	(2)
5	C229-30705	Thread Guide Arm Joint	(6)
6	C229-31406	Thread Standing Rod Rubber Cap	(1)
7	C229-30408	Thread Standing Rod Upper	(1)
8	C229-31307	Thread Standing Rod Joint	(1)
9	C131-67903	Thread Standing Thread Guide	(1)
10	C131-68000	Thread Guide Base Lower	(1)
11	C131-68109	Thread Guide Arm Base	(1)
12	C131-68208	Thread Guide Arm Base	(1)
13	C229-30309	Thread Standing Rod Lower	(1)
14	C229-31109	Spool Retainer	(5)
15	C229-31000	Spool Pin	(5)
16	C229-30903	Spool Rest Cushion	(5)
17	C229-30804	Spool Rest	(5)
18	C131-68406	Thread Standing Arm Support A	(1)
19	C131-68950	Thread Standing Arm A Assembly	(1)
20	CSM-6061610-SC	Screw	(6)
21	CSM-4051405-SE	Screw	(2)
22	CNM-6050001	Nut	(2)
23	CSM-4041001-SC	Screw	(2)
24	CNM-6040002-SE	Nut	(2)
25	CSM-4041201-SC	Screw	(1)
26	CSM-4042001-SC	Screw	(1)
27	CNM-6040002-SE	Nut	(2)
28	CWP-1612616-SE	Washer	(2)
29	CWS-1643202	Spring Washer	(1)
30	CNM-6160511	Nut	(1)
31	CNM-6050001-SE	Nut	(5)
32	CWS-0510002-KN	Spring Washer	(5)
33	CSK-3382001-SE	Screw	(2)
34	CSM-4061201-SE	Screw	(2)
35	CNM-6060001-SE	Nut	(2)
36	C131-68901	Thread Standing Arm A Assembly	(1)
37	C131-68851	Thread Standing Arm Assembly Long	(2)

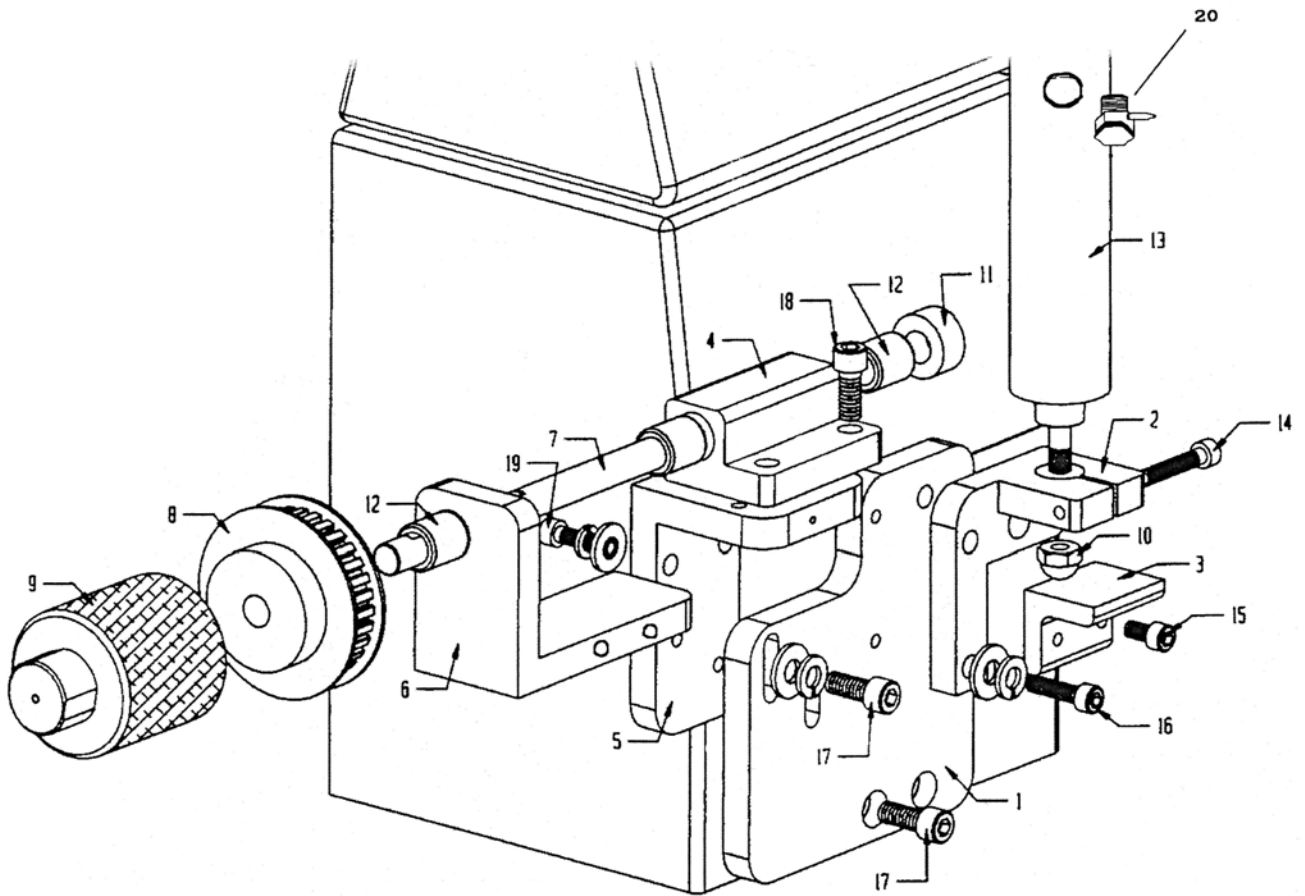
Top Plate and Translator Components



Top Plate and Translator Components

Reference Nos.	Part Number	Description	Quantity
1	C3303	Top Plate	1
2	C3304	Feed Support Bracket	1
3	C3318	Oil Cup Mounting Plate	1
4	C231D032	Oil Cup	1
5	C3306	Clutch Housing	1
6	APT329R16	Lever Clutch	1
9	CB362-1	Eccentric Timing Pulley	1
10	CB312	Timing Belt	1
11	CPT251613	Pulley Adaptor	1
12	CB105	Bearing	1
13	C252014SCS	Screw	2
14	C103220SCS	Screw	4
15	C102408BHS	Screw	2
16	C102412SCS	Screw	2
17	CB204	Nylon Washer	2
18	C37STC	Collar	1
19	C823B	Alignment Washer	1
20	C823C	Slide Nut	1
22	CB619	Coupling	1
23	CB569	Air Fitting	1
24	CB457	Washer	3
27	CSS7112420SP	Screw	3
28	CO8LKW	Washer	3
29	A750005A	Eccentric Drive Assembly	1
63	C252012SCS	Screw	(1)
64	A750005	Eccentric Body	(1)
65	C11509	Cap Plate	(1)
66	C87U	Cap Plate Screw	(2)
67	CB404	Eccentric Adjusting Screw	(1)
68	C25HVW	Washer - Heavy	(1)
69	C11502	Eccentric Adjusting Stud	(1)
70	CB405	Nut	(2)
71	C10STW	Washer	(1)
72	A3362	Heavy Duty Translator Assembly	1
73	C11507S	Rod End	(1)
74	C3824STN	Nut	(1)
75	C3300-011	Connecting Rod	(1)
76	C2528STN	Nut	(1)
77	CB133	Rod End	(1)

Foot Lift Components

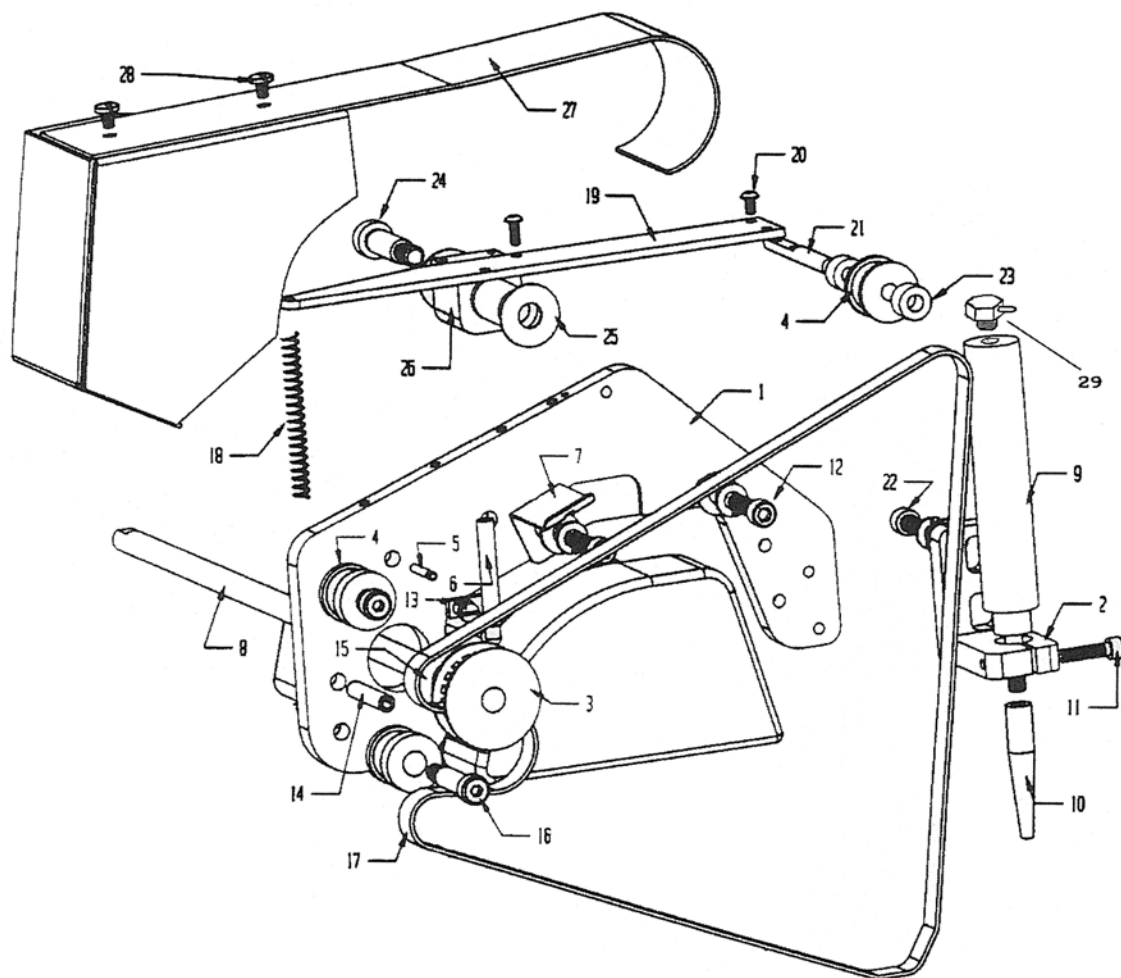


From the library of: Diamond Needle Corp

Foot Lift Components

Reference Nos.	Part Number	Description	Quantity
1	C3320	Foot Lift Mounting Plate	1
2	C3321	Foot Lift Cylinder Bracket	1
3	C3326	Push-Pad	1
4	A3323	Bearing Housing	1
5	C3322	Angle Support	1
6	A3336	Angle Mount	1
7	C3324	Synchronizer Shaft	1
8	CB362	Timing Belt Pulley	1
9	C3361	Synchronizer Handwheel	1
10	C2528NCN	Nylon Cap Nut	1
11	C375STC	Collar	1
12	CB130	Bearing Housing	2
13	CB684	Cylinder	1
14	C102416SCS	Screw	1
15	C102406SCS	Screw	2
16	C25012SCS	Screw	2
17	C252010SCS	Screw	4
18	C252016SCS	Screw	2
19	C102412SCS	Screw	2
20	CB533	Air Fitting	1

Driving Belt and Tension Arm Components

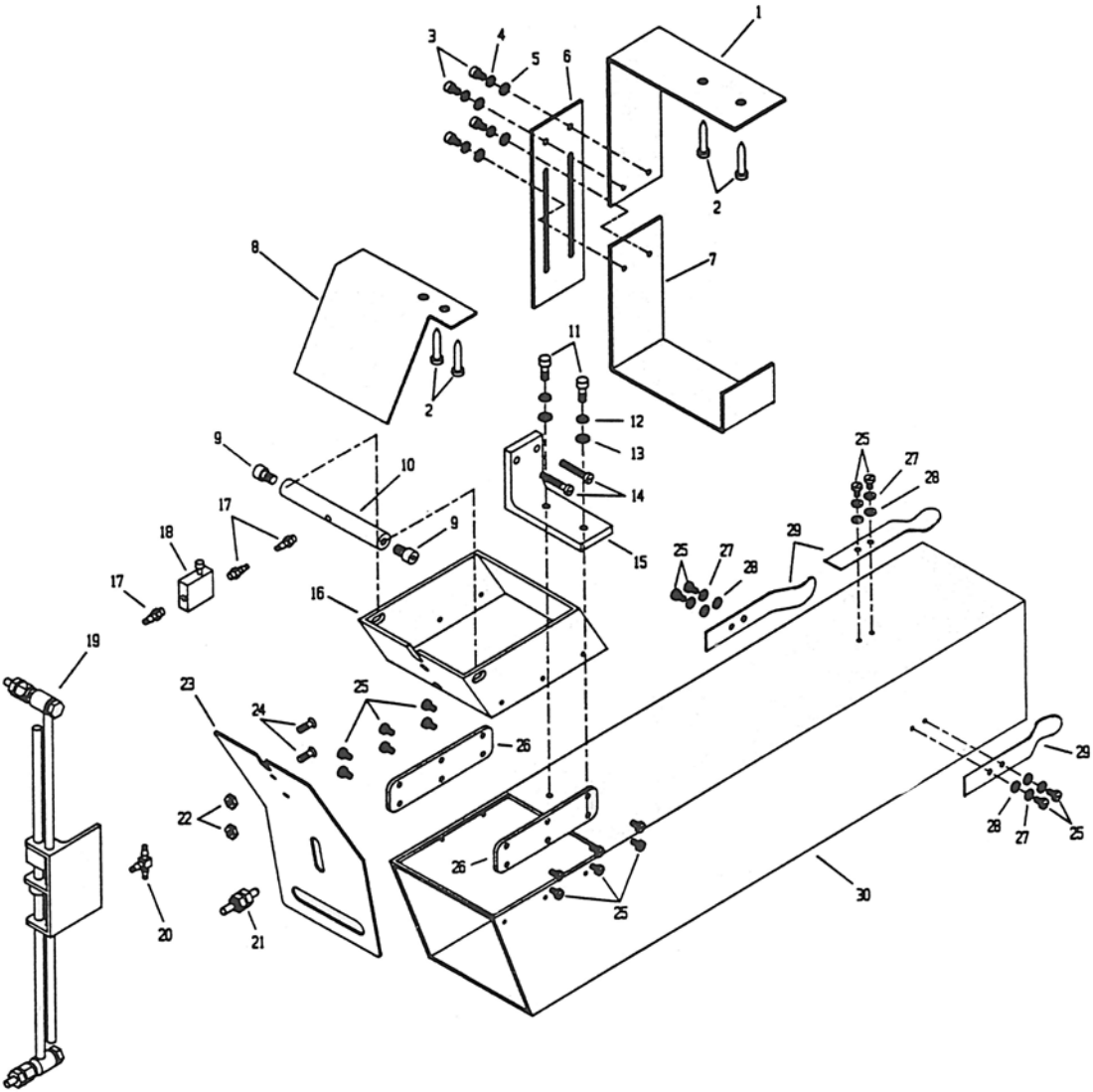


From the library of: Diamond Needle Corp

Driving Belt and Tension Arm Components

Reference Nos.	Part Number	Description	Quantity
1	A3305	Top Feed Support Plate	1
2	c3308	Foot Plunger Cylinder Kit	1
3	CB305M	Top Feed Drive Pulley	1
4	C3309	Idler Roller	3
5	C1212GRP	Pin	1
6	A118-54403N	Oil Wick	1
7	C3345	Oil Wick Support	1
8	C3307	Drive Shaft	1
9	CB686	Cylinder	1
10	C3317	Foot Plunger	1
11	C102414SCS	Screw	1
12	C252014SCS	Screw	4
13	C064004BHS	Screw	1
14	C2516RLP	Roll Pin	1
15	CB251	Bearing	1
16	C2510SHS	Screw	1
17	CB364S	Belt	1
18	CB441	Spring	1
19	CPT151608	Tension Arm	1
20	C083206BHCS	Screw	4
21	CPT151610	Idler Roller Shaft	1
22	C252014SCS	Screw	1
23	C25STC	Collar	2
24	C3716SHS	Screw	1
25	CB204	Nylon Washer	2
26	APT151609	Tension Arm Bearing Block	1
27	C3331	Belt Guard	1
28	C063204PHS	Screw	3

WASTE DISPOSAL COMPONENTS

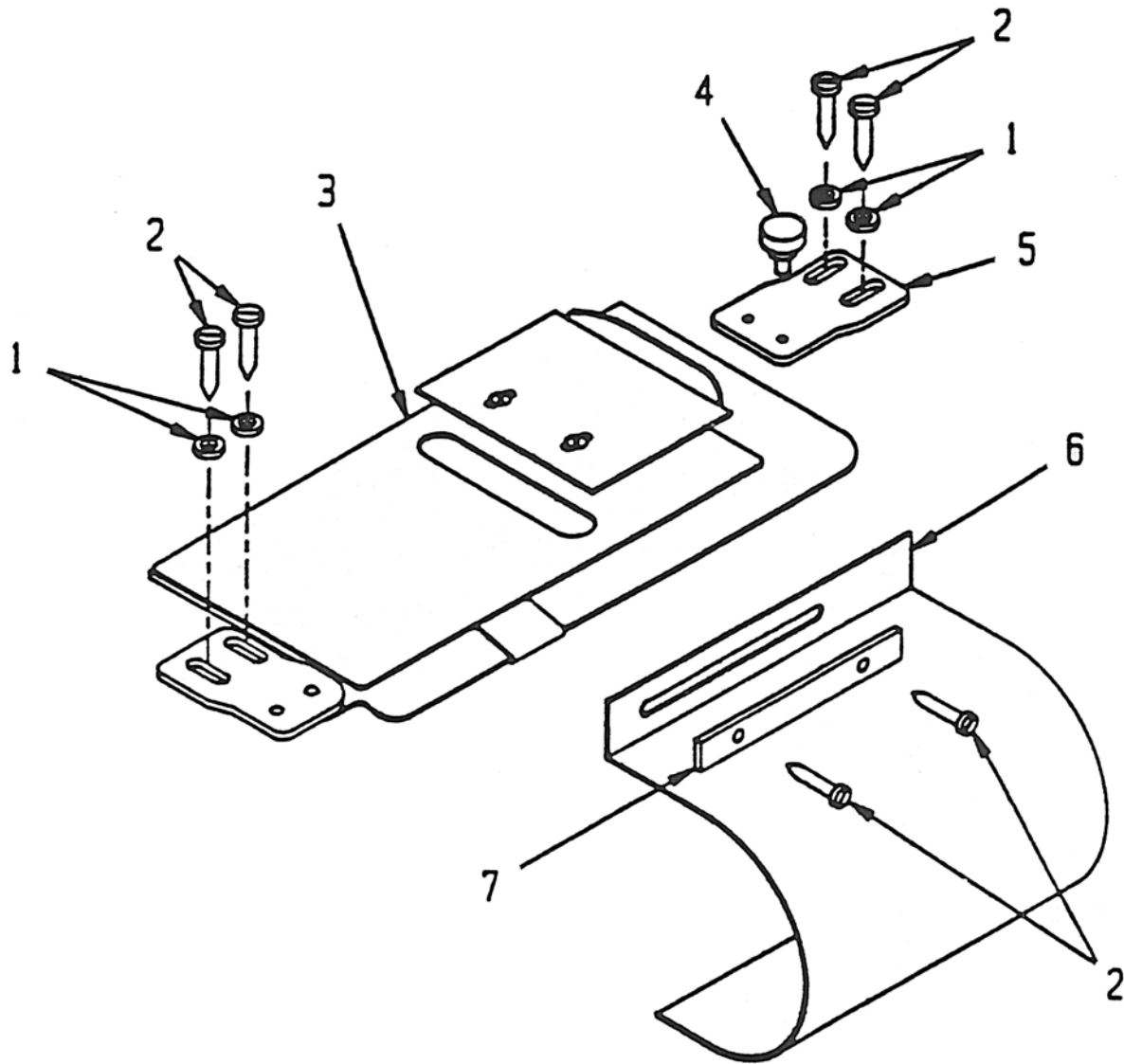


From the library of: Diamond Needle Corp

WASTE DISPOSAL COMPONENTS

Reference Nos.	Part Number	Description	Quantity
1	C581VP002	End Support Top Mount Angle	1
2	C1016SMS	Screw	4
3	C083204SCS	Screw	4
4	C08LKW	Lockwasher	4
5	C08STW	Washer	4
6	C581VP003	End Support Adjust Plate	1
7	C581VP004	End Support Angle	1
8	C581VP012	Scrap Deflector	1
9	C252006SCS	Screw	2
10	C581VP005	Top Lip Air Flow Tube	1
11	C102408SCS	Screw	2
12	C10LKW	Lockwasher	2
13	C10STW	Washer	2
14	CSS-7112420-SP	Screw	2
15	C581VP001	Mounting Clip	1
16	C581VP009	Top Inlet Tube	1
17	CB521	Hose Barb (1/8)	3
18	CB515	Flow Control Valve	1
19	A581TV	Treadle Valve Assembly	1
20	CB549	Hose Tee (1/8)	1
21	CB563	Bulkhead Fitting	1
22	C0832STN	Hex Nut	2
23	C581VP006	Blower Mount Plate	1
24	C083208FHSC	Screw	2
25	C063204BHS	Screw	12
26	C581VP008	Connecting Bar	2
27	C06LKW	Lockwasher	6
28	C06STW	Washer	6
29	C581VP007	Scrap Bag Clip	1
30	C581VP010	Main Tube	1

FLANGE GUIDE COMPONENTS



From the library of: Diamond Needle Corp

Reference Nos.	Part Number	Description	Quantity
1	C10STW	Washer	4
2	C1016SMS	Screw	6
3	A18142	Adjustable Guide Assembly	1
4	CB407	Thumb Screw	1
5	A18146	Flange Guide Catch Bracket	1
6	CPT151698	Flange Guide Catch Bracket	1
7	CPT151699	Washer Plate	1

