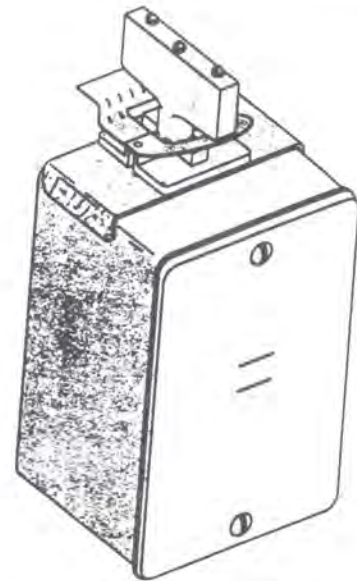


## FRS-53P PLUG-IN JACK

### 2 & 3 Pole (60 AMP)

Polarized Plug-in Jack is designed for applications where moveable trolleys are not required, such as in sewing rooms or for connecting lighting fixtures and small tools. Plug-in Jacks can be inserted at any point in the busway (track). Following insertion, a quarter turn of the Plug-in Jack establishes electrical contact with the bus bars and locks the plug-in jack securely in place. Equipment ground is accomplished through metallic shell of the busway housing. Lead wires are color coded. **One 1/2" Junction Box knockout complies with OSHA.**

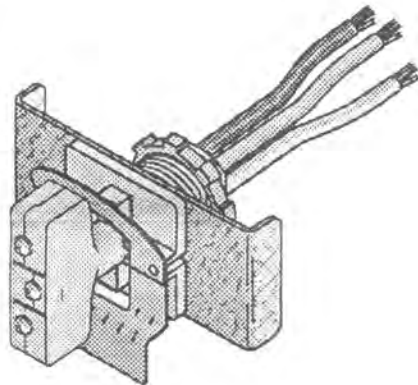


15 amperes, 300 Volt AC or DC. Self-contained unit of jack, junction box and cable clamp. Non-fusible.

**ALSO Available...**

## FRS-351M - 4 POLE PLUG-IN JACK

(WITH JUNCTION BOX - 15 AMPS)



## FRS-45P PLUG-IN JACK (non-fusible)

(Same as FRS-53P less Junction Box)

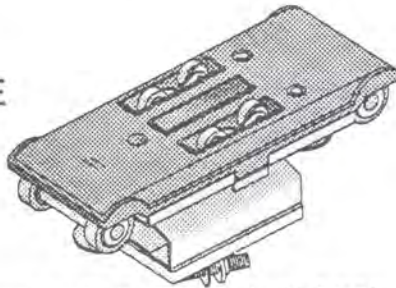
Supplied with 6" leads. Designed to take a standard handy box. 15 Amperes, 300Volt, AC or DC.

**Also Available...**

## FRS-350M - 4 POLE PLUG-IN JACK

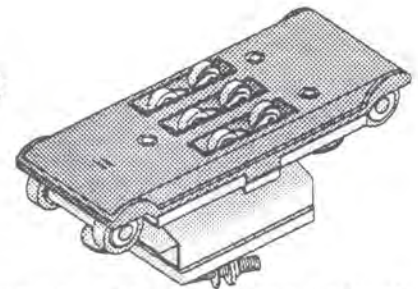
(Same as FRS-351M less Junction Box - 15 Amps)

## FRS-32 MOVEABLE ROLLER TROLLEY

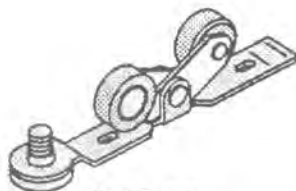


2 Pole Copper Graphite Roller Contacts (5 Amp)

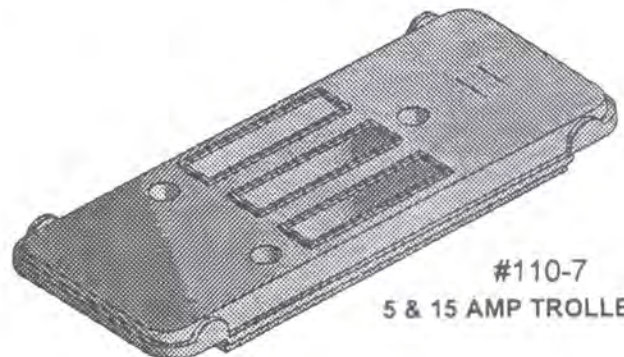
## FRS-12 MOVEABLE ROLLER TROLLEY



3 Pole Copper Graphite Roller Contacts (5 Amp)



#115-12  
5 AMP COPPER GRAPHITE  
ROLLER CONTACT



#110-7  
5 & 15 AMP TROLLEY BODY

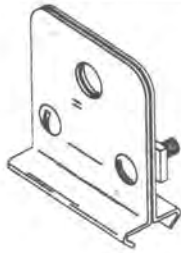
# Components for Feedrail Type Busway

MADE IN USA



Underwriters  
Laboratories Inc.®  
LISTED

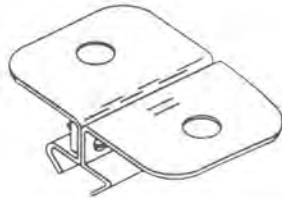
FRS-105  
BUSWAY  
HANGER SET



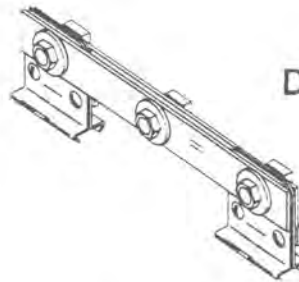
FRS-150  
BUSWAY  
HANGER SET



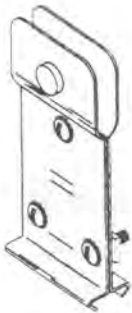
FRS-115  
BUSWAY  
HANGER SET



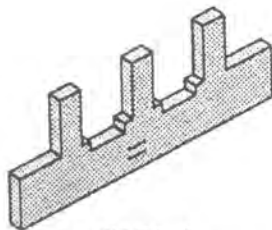
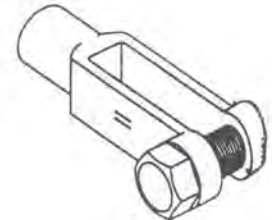
FRS-124  
DUPLEX BUSWAY  
HANGER SET



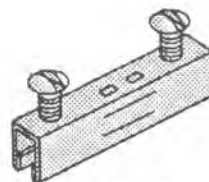
FRS-108  
BUSWAY  
HANGER SET



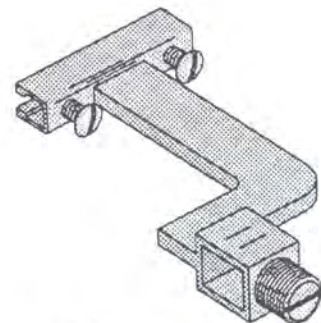
FR-105  
BUSWAY  
CLEVIS SUPPORT



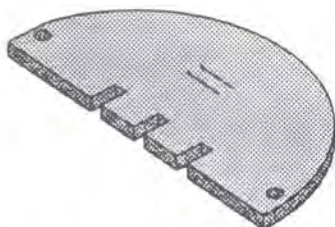
#155-4  
BUS BAR SPACER



#190-3  
BUS BAR CONNECTOR

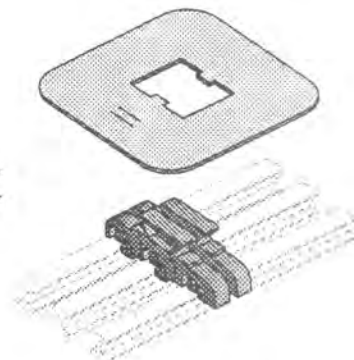


#170-1 TERMINAL FEED



#155-7  
TERMINAL SPACER (2 Required)

Consist of 2 piece  
insulator and fiber  
retainer



#155-3  
BUS BAR INSULATOR HANGER SET

# Components for Feedrail Type Busway

MADE IN USA



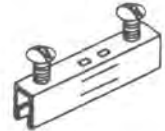
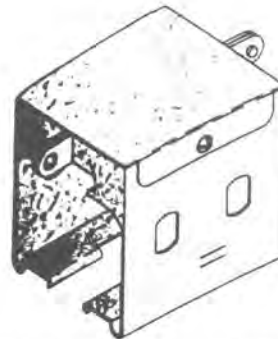
Underwriters  
Laboratories Inc.®  
LISTED

### FRS-107 DEAD END CAP



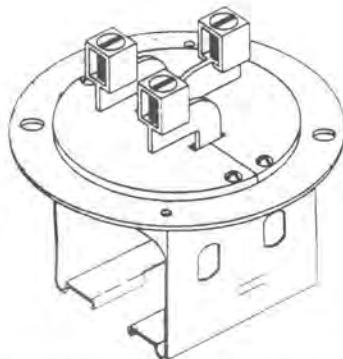
For use in closing the end of a busway (track) run. Similar to FRS-102 Coupling Set with the addition of removable end insulator, end plate, bumper and Bus Bar Connectors.

### FRS-102 COUPLING SET



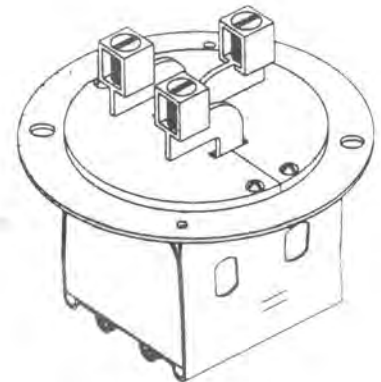
Side plates with cover for coupling adjacent busway (track) sections. They lock sections together. Coupling Set includes three 190-3 Connectors.

### FRS-103 CENTER FEED SET



For use in electrical connections to the power supply between any two adjoining busway (track) sections. Also serves as a busway coupling. Cover fits standard 2-1/8" deep, 4" octagon extension ring or outlet box, or FRS-110 Junction Box. Terminals included.

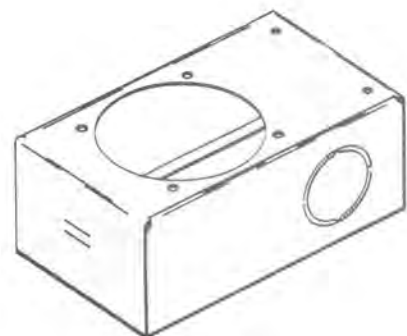
### FRS-106 END FEED SET



For use in electrical connection to the power supply and closing the end of a busway (track) run. Similar to FRS-103 Center Feed Set with the addition of an end plate and bumper.

### FRS-110 JUNCTION BOX

For use with FRS-103 and FRS-106 Feed Sets. Box has 1" and 1-1/2" knockouts on three sides.



# Components for G.E. Type Busway Systems

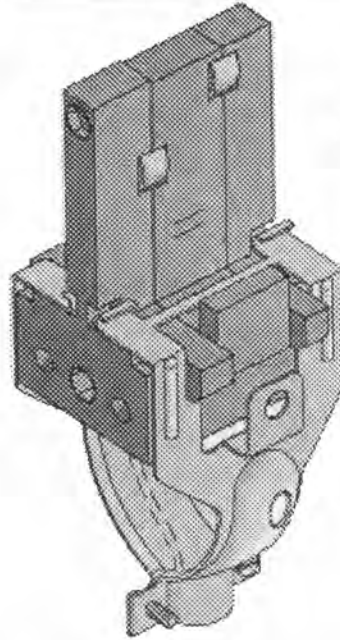
MADE IN USA



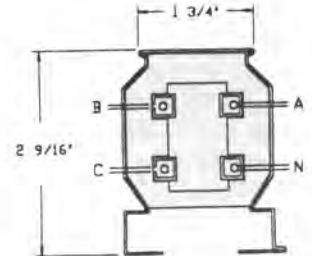
Underwriters  
Laboratories Inc.®  
LISTED

DATRP-421  
20 AMP / 240 VOLTS  
PLUG-IN

Contacts: A-B-C-N



**Note:** May be used for 2, 3,  
or 4-Pole applications.



**Please contact us for other components not shown.** These items can be shipped with any of our other 50,000 parts and supplies.

Diamond  
Needle  
Corp.



WHITE  
DIAMOND

60 COMMERCE ROAD  
CARLSTADT, NJ 07072

TEL: 201.507.1771 TOLL FREE 800.221.5818

FAX: 201.507.1715 TOLL FREE 800.833.3363

E-MAIL: [sales@diamondneedle.com](mailto:sales@diamondneedle.com)

*Now Available... American made components for Feedrail  
and G.E. type busway at money saving prices!*